



A COMPANY OF STPI GROUP

E125 & ES125

Military Specified

Meets MIL-PRF-6106

General Characteristics

Number of Poles:

Dimensions:

Weight:

1 Form C (1PDT)

1.025" x 0.525" x 1.010"

(26.0mm x 13.3mm x 25.7mm)

0.09 lb. (41 grams)

Switching Characteristics

Operate Time @ 25°C:

Release Time @ 25°C:

Bounce Time:

Mechanical Life:

10 ms Max.

10 ms Max.

1 ms Max.

400,000 Cycles

Environmental Characteristics

Temperature Range:

Vibration (Sinusoidal):

Shock (any axis):

Seal:

-70°C to +125°C

30g 10-3,000 Hz

200g, 6 ms

Hermetic (1x10⁻⁸ atm cm³/s)

Electrical Characteristics

Contact Voltage Drop (at rated resistive load)

-Initial:

-After Guaranteed Life:

150 mV Max.

175 mV Max.

Dielectric Strength

Coil to Case @ Sea Level

-Initial @ 60 Hz:

-After Life Test @ 60 Hz:

All Other Points @ Sea Level

-Initial @ 60 Hz:

-After Life Test @ 60 Hz:

1,000 Vrms

1,000 Vrms

1,250 Vrms

1,000 Vrms

Insulation Resistance

-Initial:

-After Life Tests:

100 MΩ Min, @ 500 Vdc

50 MΩ Min, @ 500 Vdc

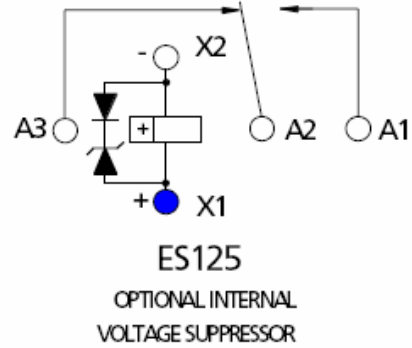
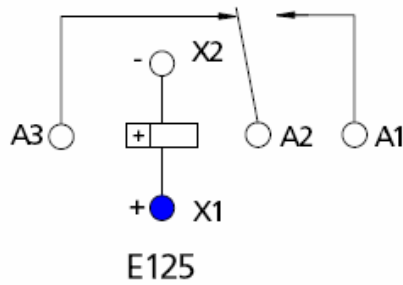
Back EMF (Transient Voltage):

42 Vdc Max. (ES125 Only)

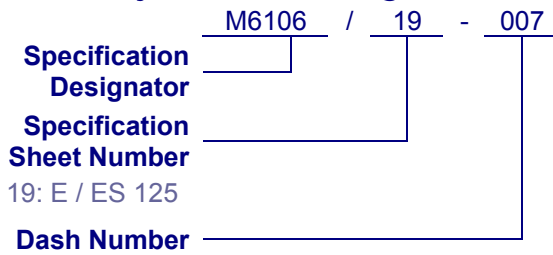
Contact Rating (Amps)

Type of Load (High Level)	Cycles x 10 ³	28 Vdc	115 Vac 400 Hz 1 Phase
Resistive	50	25	25
Inductive	10	12	N/A
Inductive	20	N/A	15
Motor	50	10	10
Lamp	50	5	5

Circuit Diagram

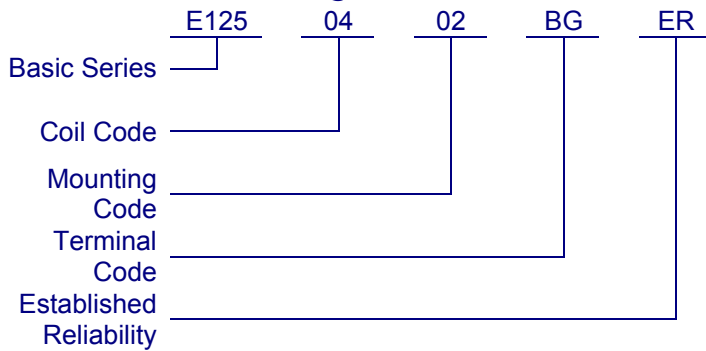


Military Part Numbering



See Charts

QPL Part Numbering

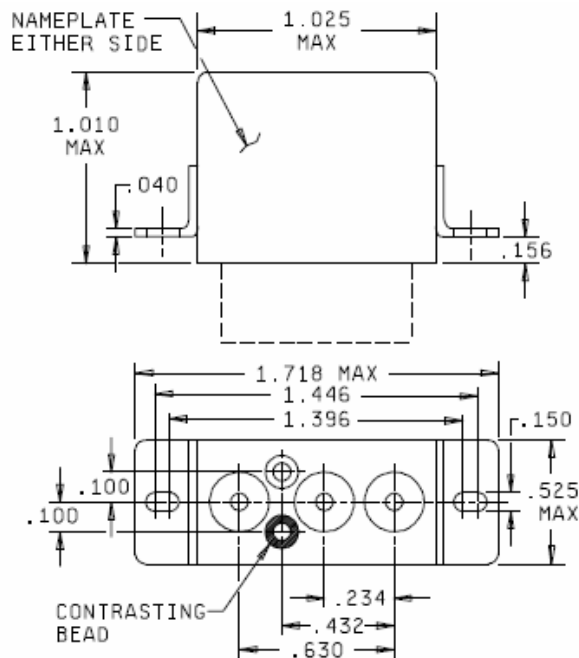


Coil Code	Coil Voltage	Max Pickup Voltage at 25°C	Max Pickup Voltage at 125°C	Min Dropout Voltage at -70°C	Coil Resistance (Ω, +/- 10% at 25°C)
04	28	14	18.7	1.5	320

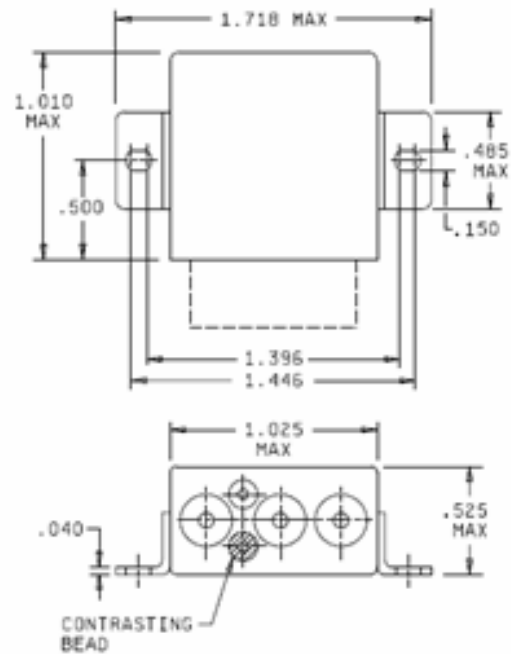
Dash Numbers – Specification Sheet Number 19

Dash Number	Basic Series	Coil Code	Mount	Terminals	Established Reliability
005	E125	04	02	CT	ER
006	E125	04	02	AT	ER
007	E125	04	02	BG	ER
008	E125	04	03	CT	ER
009	E125	04	03	AT	ER
010	E125	04	02	CT	N/A
011	E125	04	02	AT	N/A
012	E125	04	02	BG	N/A
013	E125	04	03	CT	N/A
014	E125	04	03	AT	N/A
015	ES125	04	02	CT	N/A
016	ES125	04	02	AT	N/A
017	ES125	04	02	BG	N/A
018	ES125	04	03	CT	N/A
019	ES125	04	03	AT	N/A
020	ES125	04	02	CT	ER
021	ES125	04	02	AT	ER
022	ES125	04	02	BG	ER
023	ES125	04	03	CT	ER
024	ES125	04	03	AT	ER

Mounting Styles

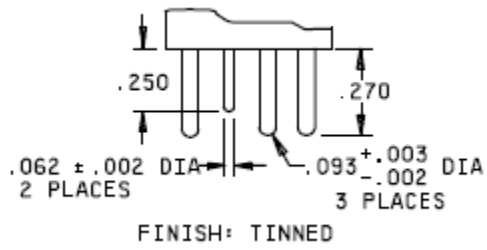


Mount 02:
Raised Vertical Flange Mount

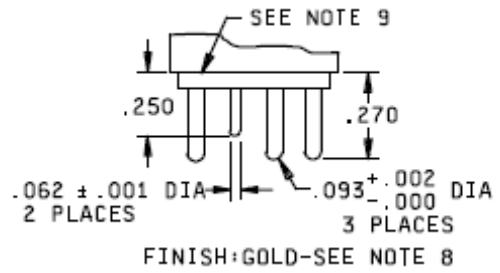


Mount 03:
Horizontal Flange Mount

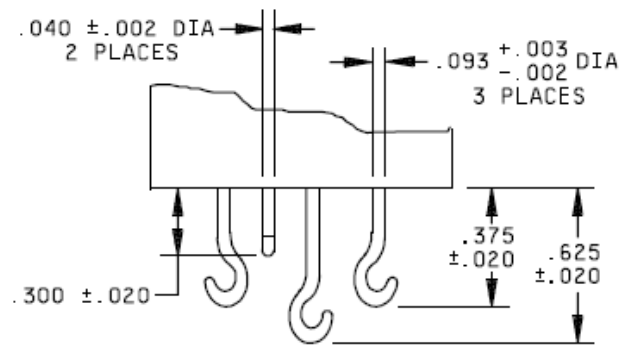
Terminal Styles



Terminal CT:
Tin Plated Solder Pin



Terminal BG:
Gold Plated Plug In



Terminal AT:
Tin Plated Solder Hook