

# ABAT15AA, ABAT15AD

1 500 VDC Max., L/R ≤ 5ms, 100-500A

## BATTERY FUSES

## BATTERY RACK FUSES



Mersen's **ABAT** line up is the latest addition to our DC Over-Current protection (O.C.P.) portfolio developed to address Battery Electrical Storage System safety.

The **ABAT15AA & AD** fuses has been specifically designed for 1500 VDC applications with current ratings from 100 to 500 A and according to the upcoming IEC 60 269-7 fuse standard for battery protection.

Our state of the art technology allows them to clear fault currents down to 3 times the fuse rated current to perfectly coordinate with contactors, and up to 250 kA to protect from the large short circuits seen in energy storage systems.

Along with the ability to withstand heavy duty cycling and low power losses improving system reliability and efficiency, it makes them ideal for battery and battery related systems.

## TECHNICAL DATA OVERVIEW

Ampere Range (A)	100 ... 500 A
Speed/Characteristic	aR / aBAT
Rated DC Voltage UN	1500 VDC
I.R (DC)	250kA @L/R=5ms
Minimum breaking capacity (MBC) @L/R≤2ms	3x I <sub>n</sub>
Packing quantity	2

## FEATURES & BENEFITS

- Designed for DC battery applications
- Compact design
- Low power losses
- High cycling performance
- QR code for easy identification
- Bolted and Offset blades mounting

## APPLICATIONS

- Electrical Energy Storage (EES)
- Battery Racks
- Battery Strings
- Power Conversion Systems
- Hybrid Inverters
- DC Distribution Systems

## STANDARDS

- IEC 60 269-4
- IEC 60 269-7 (expected release in 2021)
- UL/cUL recognized component, UL file E523293



# ABAT15AA, ABAT15AD

1 500 VDC Max., L/R ≤ 5ms, 100-500A

## PRODUCT RANGE



ABAT15AA250GI

### ABAT15AA Offset blades

Catalog number	Rated voltage DC (IEC)	Rated current I <sub>n</sub>	Pre-arcing I <sup>2</sup> t	Clearing I <sup>2</sup> t @250kA L/R= 5ms	Power dissipation at 0.8 I <sub>n</sub>	Min. breaking capacity (MBC)	Weight
ABAT15AA100GI	1500 V	100 A	1072 A <sup>2</sup> s	57000 A <sup>2</sup> s	19 W	300 A	0.6 kg
ABAT15AA125GI	1500 V	125 A	1906 A <sup>2</sup> s	102000 A <sup>2</sup> s	24 W	375 A	0.6 kg
ABAT15AA160GI	1500 V	160 A	3150 A <sup>2</sup> s	126000 A <sup>2</sup> s	31 W	480 A	0.6 kg
ABAT15AA200GI	1500 V	200 A	5600 A <sup>2</sup> s	187000 A <sup>2</sup> s	36 W	600 A	0.6 kg
ABAT15AA250GI	1500 V	250 A	9955 A <sup>2</sup> s	332000 A <sup>2</sup> s	46 W	750 A	0.6 kg



ABAT15AA250FI

### ABAT15AA Bolted blades

Catalog number	Rated voltage DC (IEC)	Rated current I <sub>n</sub>	Pre-arcing I <sup>2</sup> t	Clearing I <sup>2</sup> t @250kA L/R= 5ms	Power dissipation at 0.8 I <sub>n</sub>	Min. breaking capacity (MBC)	Weight
ABAT15AA100FI	1500 V	100 A	1072 A <sup>2</sup> s	57000 A <sup>2</sup> s	19 W	300 A	0.6 kg
ABAT15AA125FI	1500 V	125 A	1906 A <sup>2</sup> s	102000 A <sup>2</sup> s	24 W	375 A	0.6 kg
ABAT15AA160FI	1500 V	160 A	3150 A <sup>2</sup> s	126000 A <sup>2</sup> s	31 W	480 A	0.6 kg
ABAT15AA200FI	1500 V	200 A	5600 A <sup>2</sup> s	187000 A <sup>2</sup> s	36 W	600 A	0.6 kg
ABAT15AA250FI	1500 V	250 A	9955 A <sup>2</sup> s	332000 A <sup>2</sup> s	46 W	750 A	0.6 kg



ABAT15AD500GI

### ABAT15AD Offset blades

Catalog number	Rated voltage DC (IEC)	Rated current I <sub>n</sub>	Pre-arcing I <sup>2</sup> t	Clearing I <sup>2</sup> t @250kA L/R= 5ms	Power dissipation at 0.8 I <sub>n</sub>	Min. breaking capacity (MBC)	Weight
ABAT15AD200GI	1500 V	200 A	5952 A <sup>2</sup> s	238000 A <sup>2</sup> s	39 W	600 A	1.4 kg
ABAT15AD250GI	1500 V	250 A	8750 A <sup>2</sup> s	350000 A <sup>2</sup> s	47 W	750 A	1.4 kg
ABAT15AD300GI	1500 V	300 A	15555 A <sup>2</sup> s	622000 A <sup>2</sup> s	60 W	900 A	1.4 kg
ABAT15AD350GI	1500 V	350 A	22400 A <sup>2</sup> s	784000 A <sup>2</sup> s	70 W	1050 A	1.4 kg
ABAT15AD400GI	1500 V	400 A	30489 A <sup>2</sup> s	976000 A <sup>2</sup> s	78 W	1200 A	1.4 kg
ABAT15AD450GI	1500 V	450 A	39822 A <sup>2</sup> s	1195000 A <sup>2</sup> s	81 W	1350 A	1.4 kg
ABAT15AD500GI	1500 V	500 A	54202 A <sup>2</sup> s	1626000 A <sup>2</sup> s	89 W	1500 A	1.4 kg



ABAT15AD500FI

### ABAT15AD Bolted blades

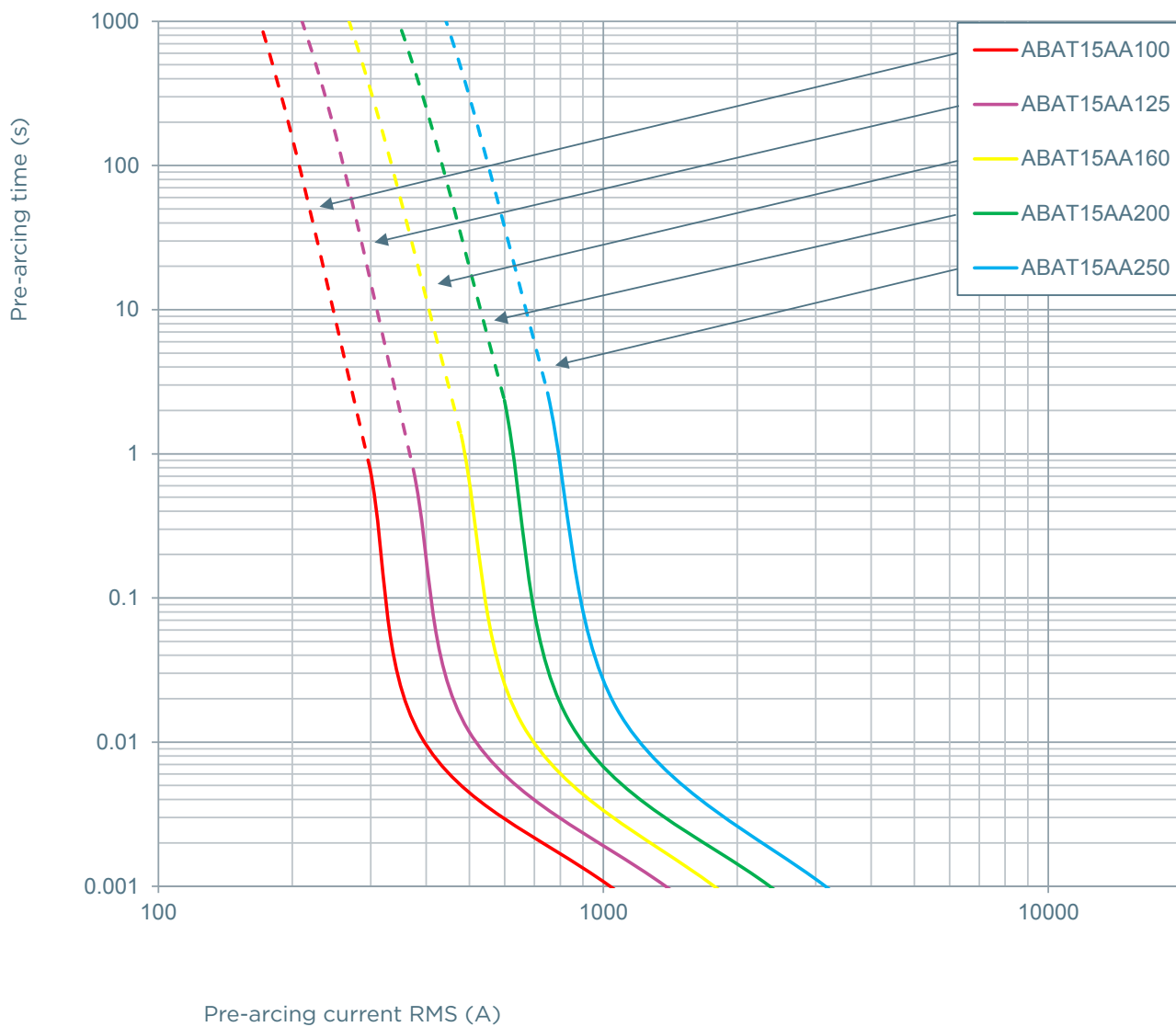
Catalog number	Rated voltage DC (IEC)	Rated current I <sub>n</sub>	Pre-arcing I <sup>2</sup> t	Clearing I <sup>2</sup> t @250kA L/R= 5ms	Power dissipation at 0.8 I <sub>n</sub>	Min. breaking capacity (MBC)	Weight
ABAT15AD200FI	1500 V	200 A	5952 A <sup>2</sup> s	238000 A <sup>2</sup> s	39 W	600 A	1.4 kg
ABAT15AD250FI	1500 V	250 A	8750 A <sup>2</sup> s	350000 A <sup>2</sup> s	47 W	750 A	1.4 kg
ABAT15AD300FI	1500 V	300 A	15555 A <sup>2</sup> s	622000 A <sup>2</sup> s	60 W	900 A	1.4 kg
ABAT15AD350FI	1500 V	350 A	22400 A <sup>2</sup> s	784000 A <sup>2</sup> s	70 W	1050 A	1.4 kg
ABAT15AD400FI	1500 V	400 A	30489 A <sup>2</sup> s	976000 A <sup>2</sup> s	78 W	1200 A	1.4 kg
ABAT15AD450FI	1500 V	450 A	39822 A <sup>2</sup> s	1195000 A <sup>2</sup> s	81 W	1350 A	1.4 kg
ABAT15AD500FI	1500 V	500 A	54202 A <sup>2</sup> s	1626000 A <sup>2</sup> s	89 W	1500 A	1.4 kg

# ABAT15AA, ABAT15AD

1 500 VDC Max., L/R ≤ 5ms, 100-500A

## TIME CURRENT CHARACTERISTIC CURVES

### ABAT15AA - 100 to 250A

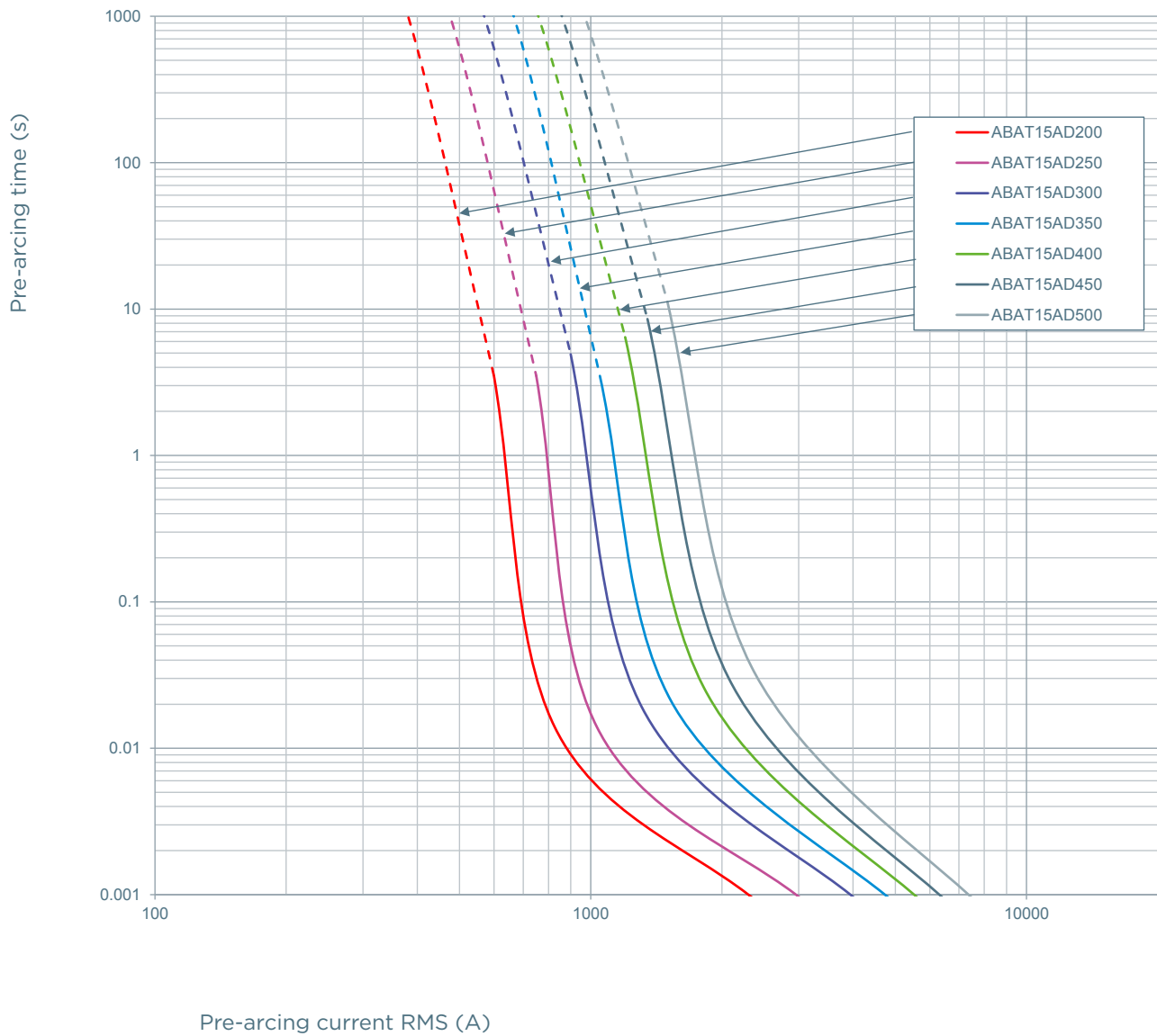


# ABAT15AA, ABAT15AD

1 500 VDC Max., L/R ≤ 5ms, 100-500A

## TIME CURRENT CHARACTERISTIC CURVES

### ABAT15AD - 200 to 500A

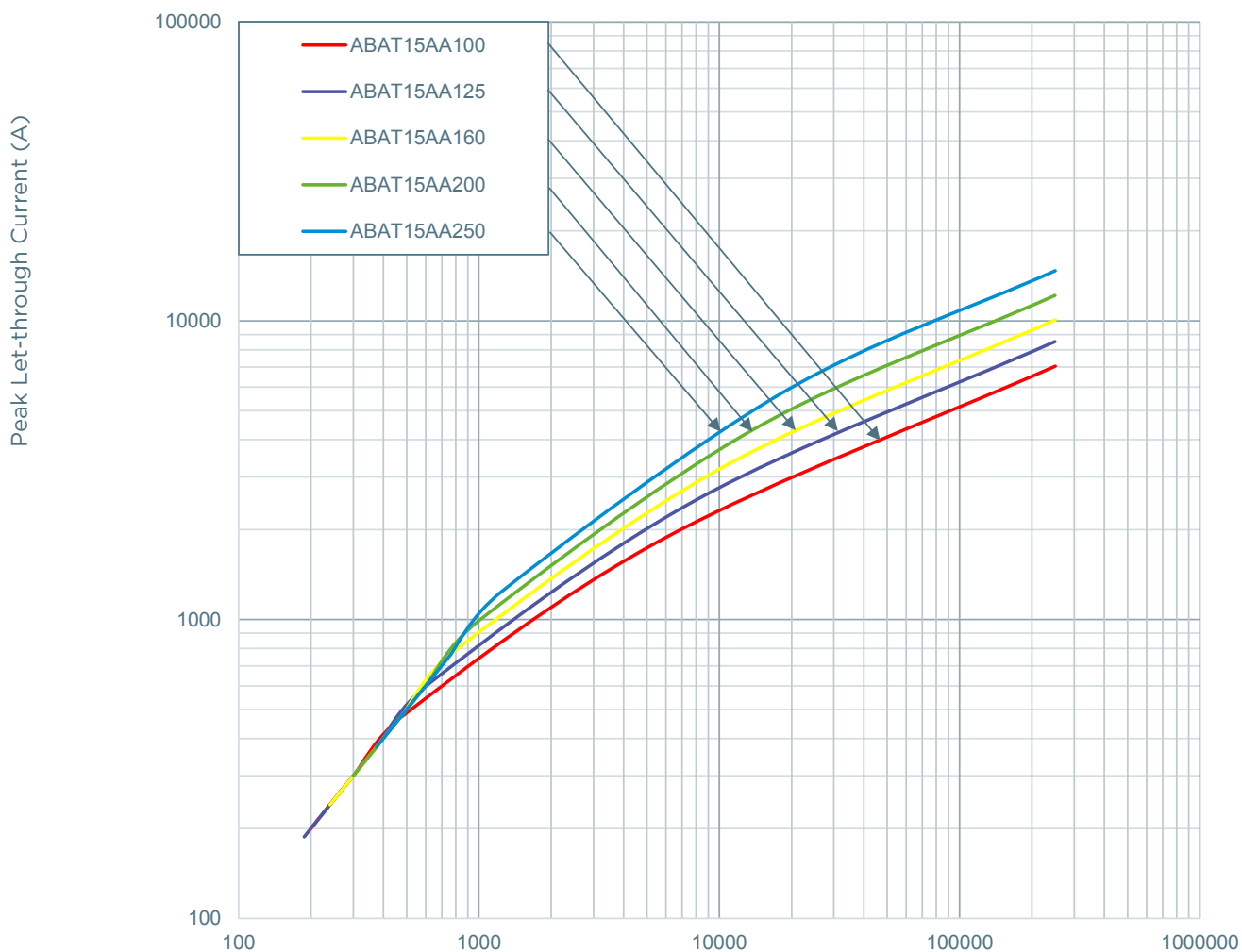


# ABAT15AA, ABAT15AD

1 500 VDC Max., L/R ≤ 5ms, 100-500A

## CUT-OFF CURRENT CHARACTERISTIC

### ABAT15AA 100 to 250A



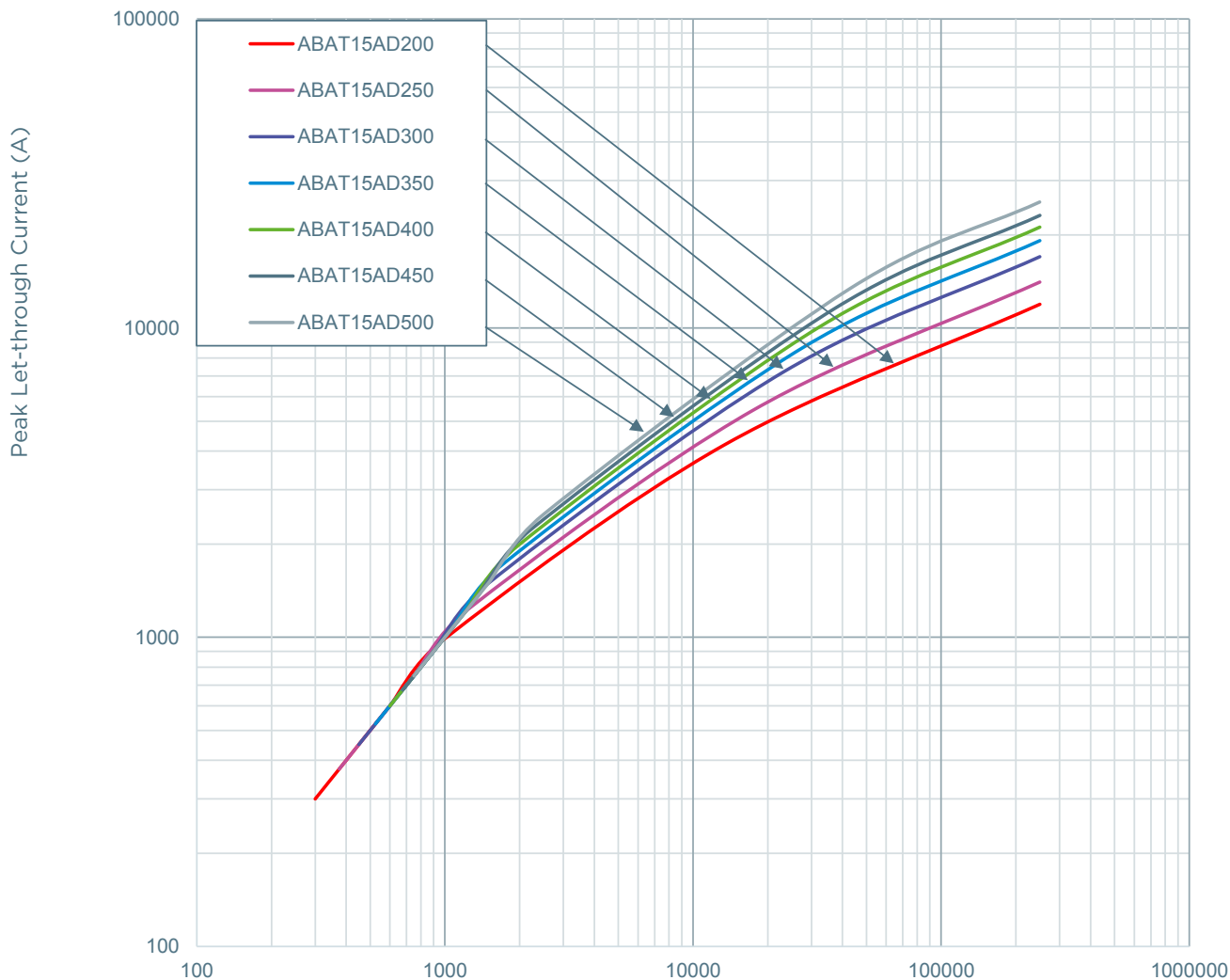
Available DC Current (A) @ Rated Voltage, L/R=3ms

# ABAT15AA, ABAT15AD

1 500 VDC Max., L/R ≤ 5ms, 100-500A

## CUT-OFF CURRENT CHARACTERISTIC

### ABAT15AD 200 to 500A

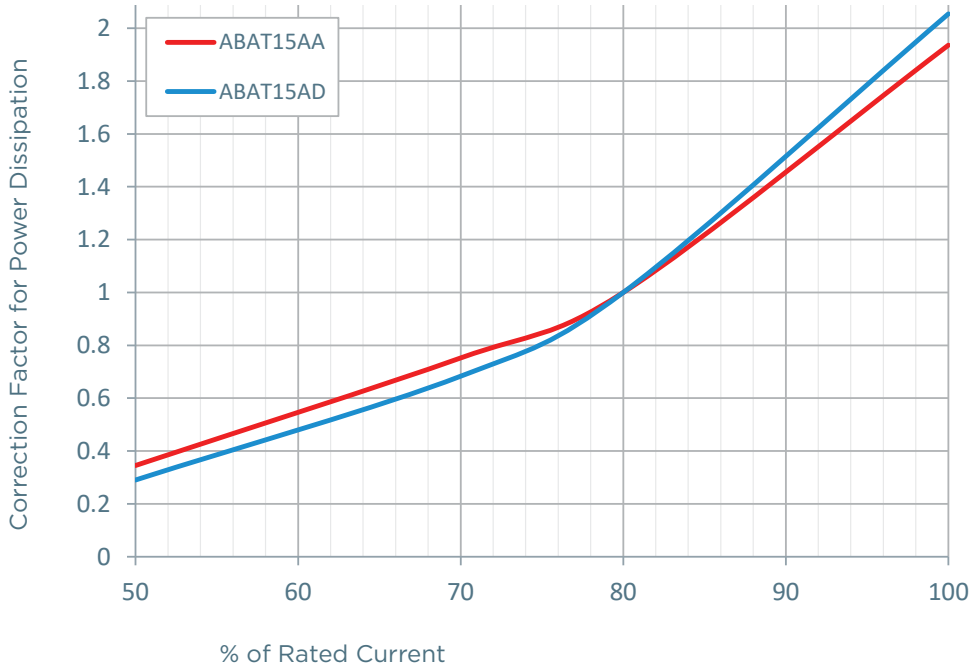


Available DC Current (A) @ Rated Voltage, L/R=3ms

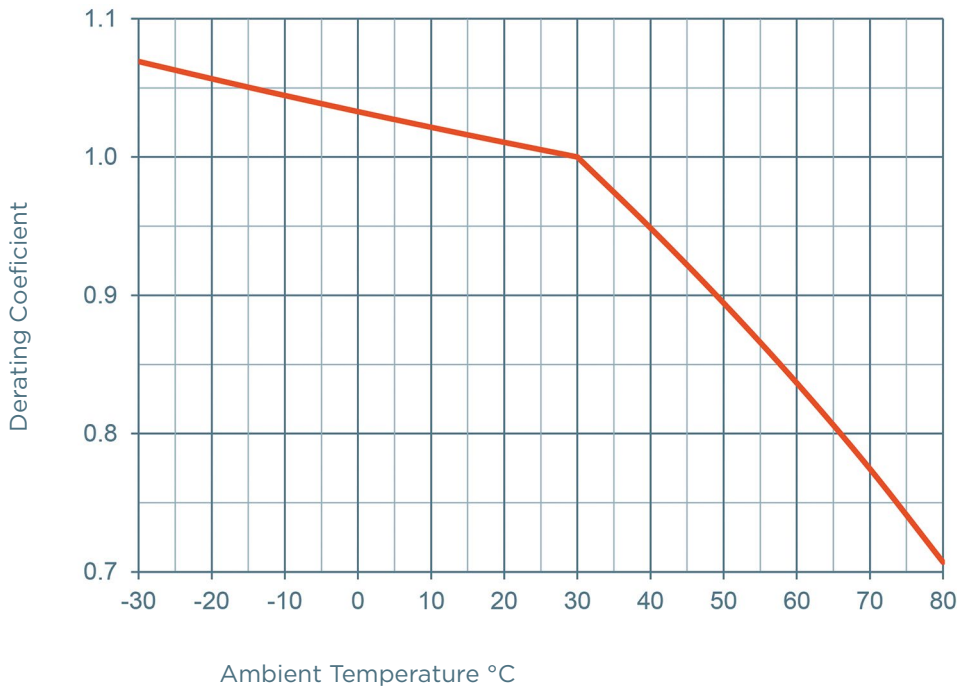
# ABAT15AA, ABAT15AD

1 500 VDC Max., L/R ≤ 5ms, 100-500A

## POWER DISSIPATION



## TEMPERATURE DERATING

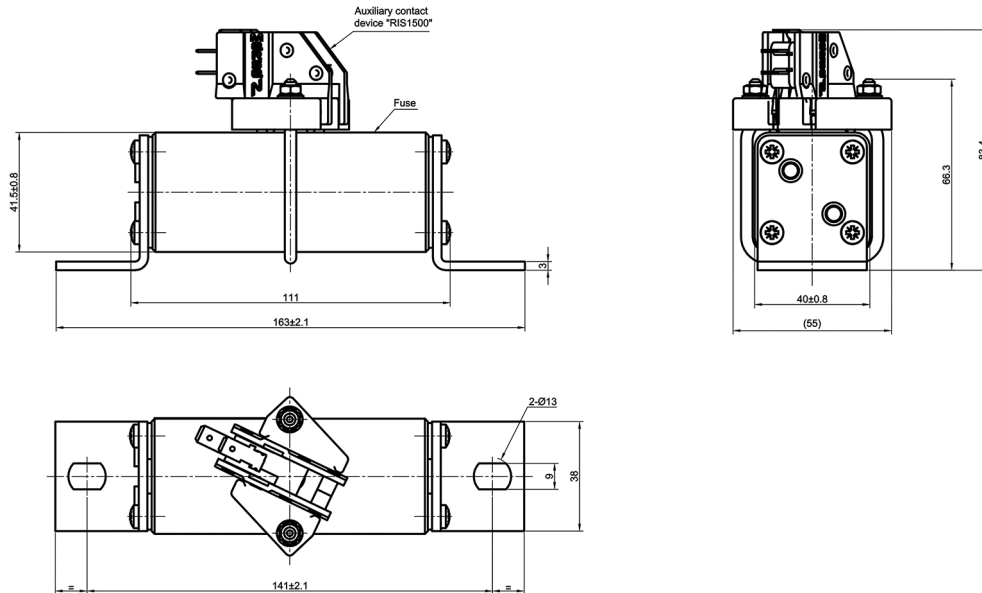


# ABAT15AA, ABAT15AD

1 500 VDC Max., L/R ≤ 5ms, 100-500A

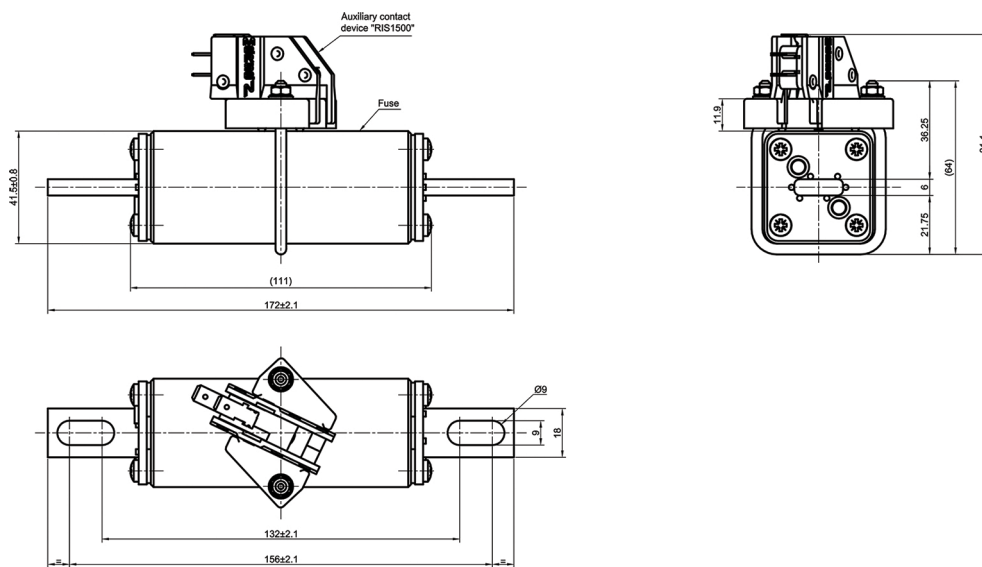
## DIMENSIONS

### ABAT15AA - Offset blades with optional microswitch



Dimensions in mm

### ABAT15AA - Bolted blades with optional microswitch



Dimensions in mm

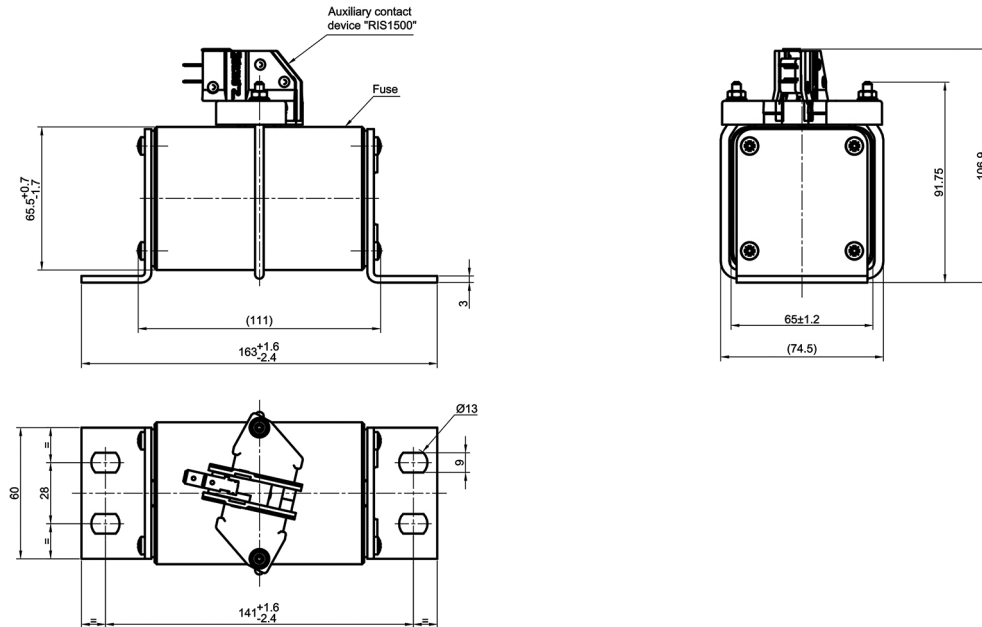


# ABAT15AA, ABAT15AD

1 500 VDC Max., L/R ≤ 5ms, 100-500A

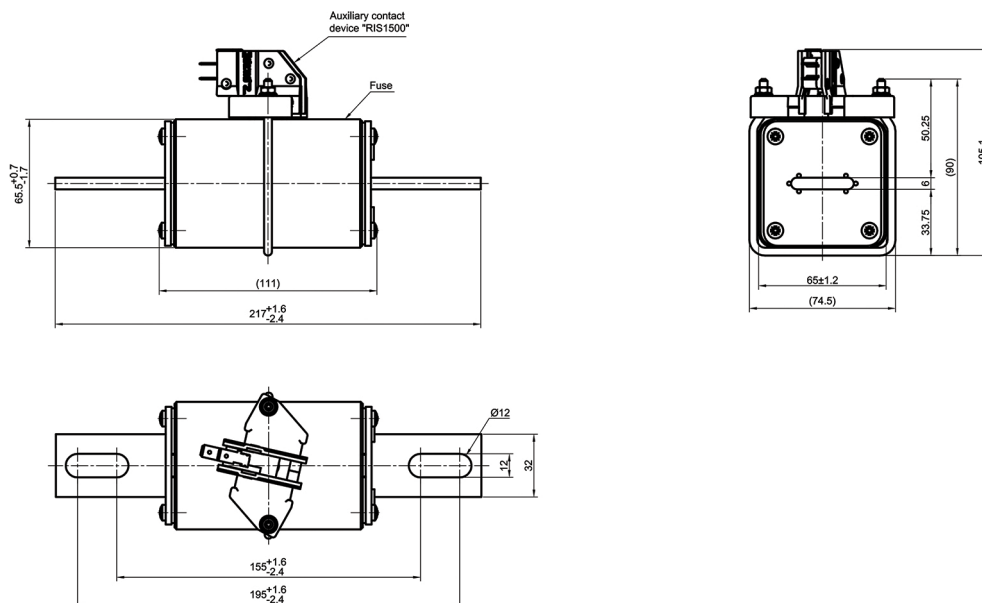
## DIMENSIONS

### ABAT15AD - Offset blades with optional microswitch



Dimensions in mm

### ABAT15AD - Bolted blades with optional microswitch



Dimensions in mm

# ABAT15AA, ABAT15AD

1 500 VDC Max., L/R ≤ 5ms, 100-500A

## ACCESSORIES



RIS1500

### Microswitches

Catalog number	Rated voltage	Rated current I <sub>n</sub>	Indication System	Minimum positive operating voltage / current
RIS1500	1500 V	10 A	Standard NO-NC	10V, 10mA



1SCM8

### Fuse blocks

Catalog number	Rated DC voltage	Application DC Fuses	Number of poles/ phases	Contact Materials	Tightening torque (max.)	Weight
<b>1SC/1MSC Modular Fuse blocks</b>						
1SCM8	1500 V	MEV70A, MEV100A and ABAT15AA fuses up to 400A	1	Zinc-Plated Steel	6.8 N-m	68 g
1SCM10	1500 V	MF-A, MEV70A, MEV100A and ABAT15AD fuses up to 800A	1	Zinc-Plated Steel	21.5 N-m	68 g