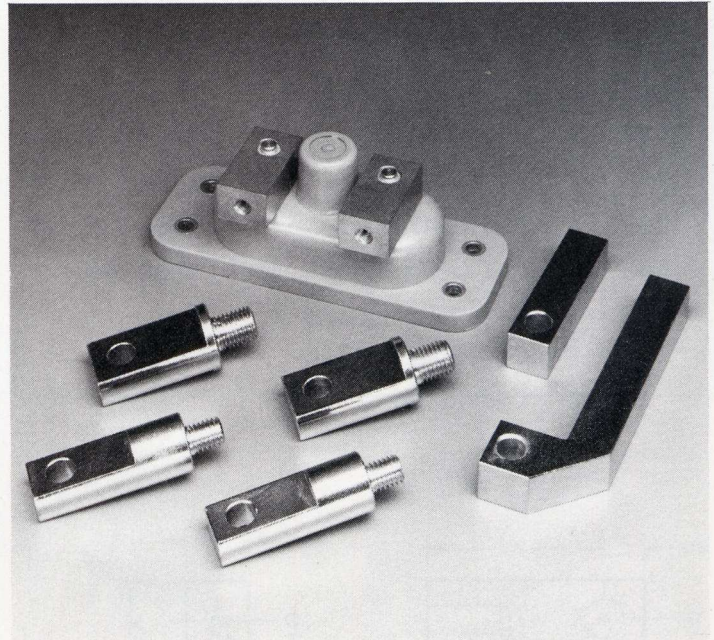


Rebling Series 7000 Aero Battery Receptacles can be supplied assembled with various styles of terminal adapters. These adapters conform to the original equipment specifications and are fully interchangeable with those supplied by the battery manufacturers.

The terminal adapters provide a convenient interface for attaching the electrical output of the battery to the receptacle. All adapters are made from nickel-plated steel and have threads of Class 2 quality.

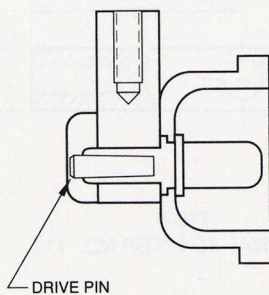
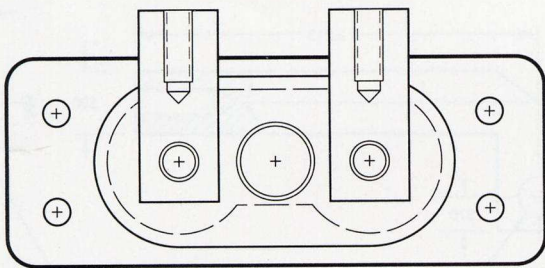
Standard terminal adapters can be modified, or, if required, configurations not listed can be supplied on a custom basis. Consult the factory for availability of non-standard units.

Note: Terminal adapters can only be assembled on receptacles with hollow posts configurations. See Rebling data sheets 7002 Style 1 and Style 2 for details on receptacles.



Ordering Information

7002 Receptacle Terminal Adapter Assembly



To order a Rebling Series 7002 Receptacle with Terminal Adapters installed, specify the following:

7002 - X - YYY

Receptacle dash number -
Specifies Style 1 or 2, color
& post* configuration (see
7002 Series data sheet)

Terminal Adapter No.

Example:

7002 - 3 - 105

Specifies a Style 1,
color blue, hollow
post receptacle

Specifies Terminal
Adapter No. 105

*Note: Terminal Adapters can only be assembled on receptacles with hollow post configurations.

Terminal Adapters

Model No.	Figure No.	Dimension			
		'A'	'B'	'C'	'D' Thread
101	1	.866	.625	.500	10-32 UNF
102	1	1.218	.625	.500	10-32 UNF
103	1	.866	.625	.625	1/4-28 UNF
104	1	.687	.625	.500	10-32 UNF
105	3	See Figure 3			
106	2	1.205			M10X 1.25 MM
107	2	.831			M10X 1.25 MM
108	2	1.047			M10X 1.25 MM
109	1	1.000	.625	.500	10-32 UNF
110	4	See Figure 4			
111	5	See Figure 5			

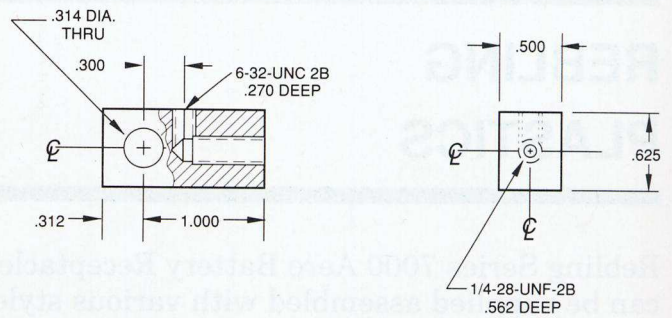


FIG 3
TERMINAL ADAPTER NO. 105

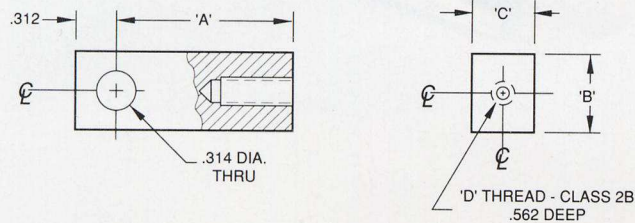


FIG 1
TERMINAL ADAPTER NO. 101, 102, 103, 104, & 109

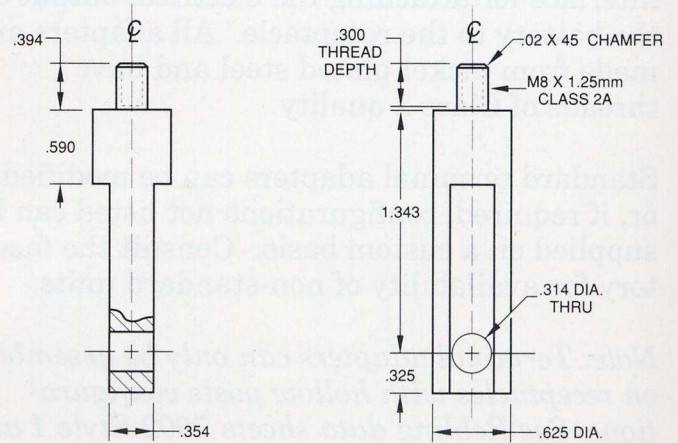


FIG 4
TERMINAL ADAPTER NO. 110

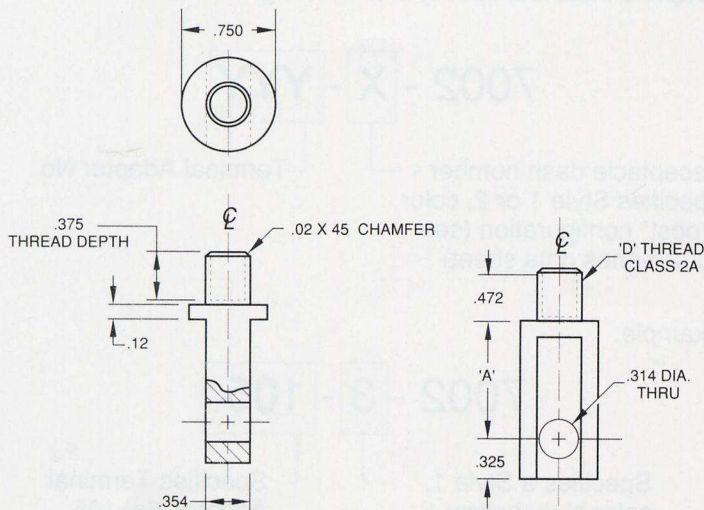


FIG 2
TERMINAL ADAPTER NO. 106, 107, & 108

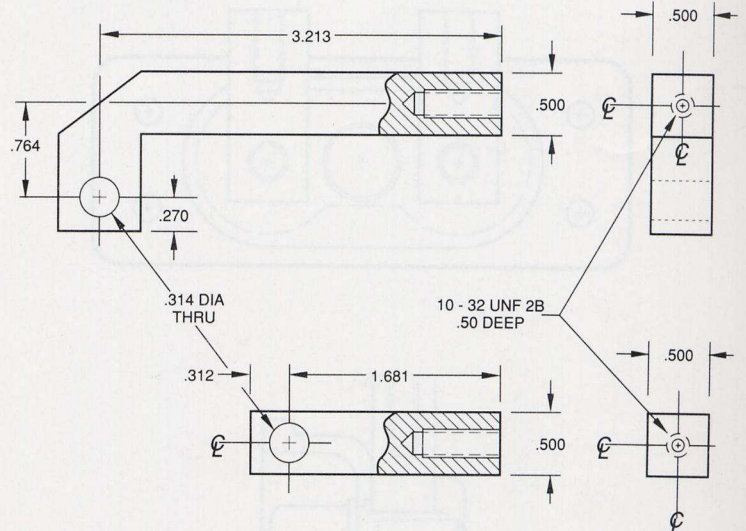


FIG 5
TERMINAL ADAPTER NO. 111

