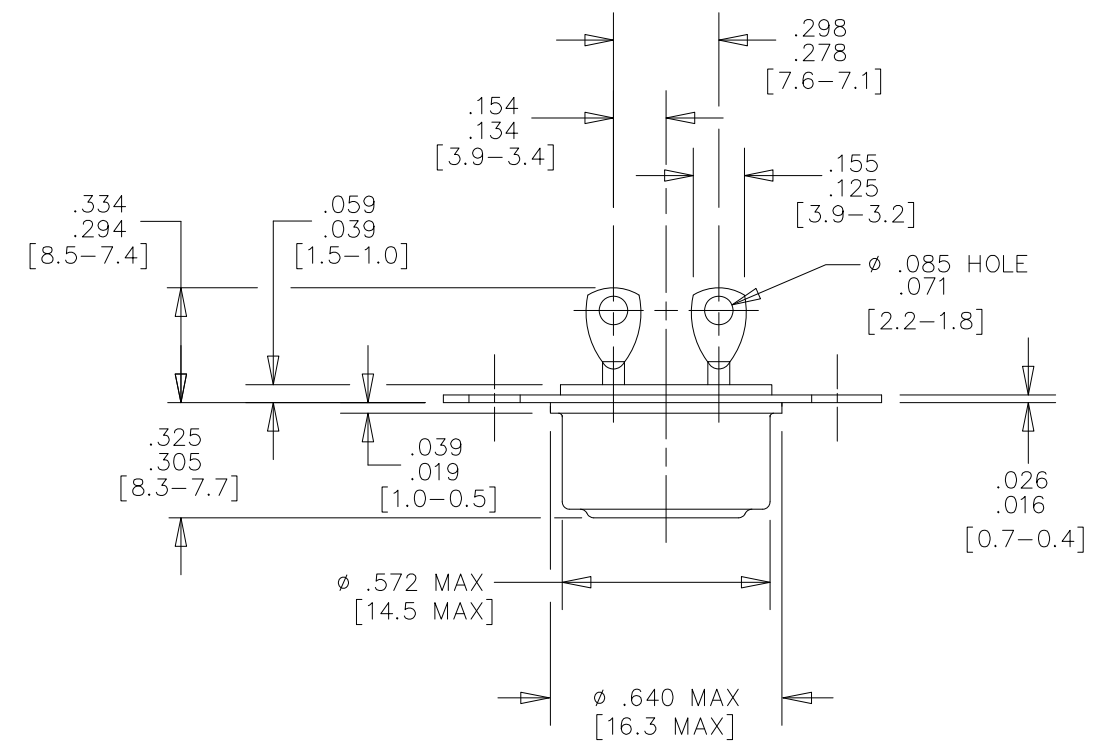
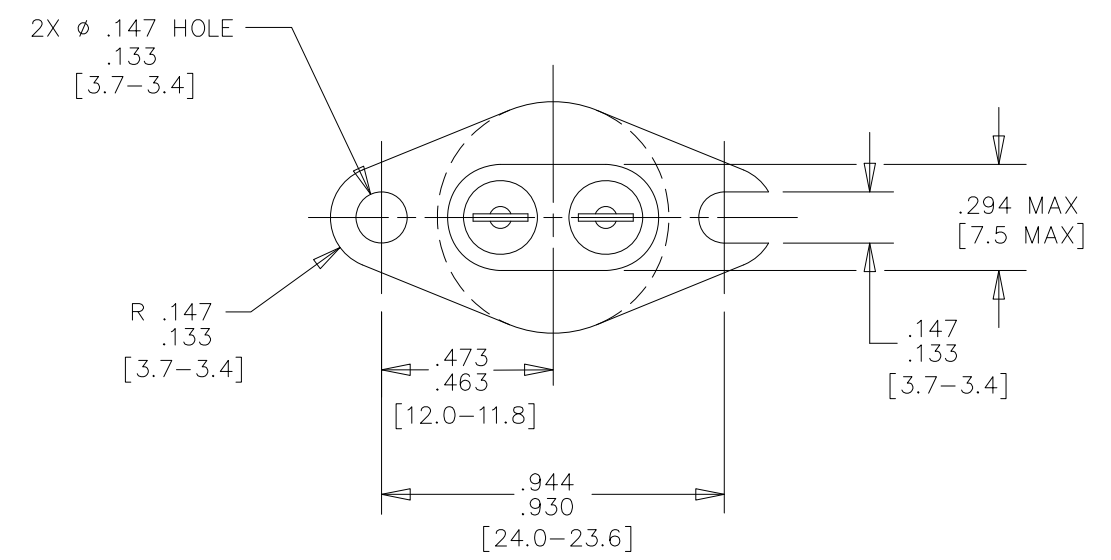


Property of  
Sensata Technologies

ZONE	REV.	REVISION DESCRIPTION	ECN NO.	DATE
	D	RE-DOCUMENTED IN DWG. EDITOR, ADDED REF. MILLIMETER DIMENSIONS : D.P.	ECO-075424	17-APR-2012



[ ] BRACKET DENOTES METRIC

PART NO.: ----- 11041-13-\*

OPERATING TEMPERATURE:  
OPEN: ----- °F.  $\pm$  °F.  
CLOSE: ----- °F.  $\pm$  °F.

FINISH: -----

WEIGHT: ----- 5.9 GRAMS MAX.

AMBIENT TEMPERATURE EXPOSURE RANGE: ----- -65°F. TO +450°F [-53.9° TO 232.2°C].

ELECTRICAL CIRCUIT DIAGRAM: ----- OR

ELECTRICAL RATING RESISTIVE

30 VAC/DC	125 VAC	250 VAC	LIFE CYCLES
AMPERES			
5.0	2.0	1.0	100,000
5.5	3.0	1.5	50,000
6.0	4.0	2.0	25,000
6.5	5.0	2.5	10,000
7.0	6.0	3.0	5,000

DIELECTRIC STRENGTH  
TERMINAL TO CASE: ----- 1250 VOLTS, RMS, 60 CYCLES FOR 1 MINUTE

NOTE: \*  
FOR ORDERING PRODUCTION QUANTITIES TWO DASH NUMBERS ARE NECESSARY, THE SECOND DASH NO. WILL BE ASSIGNED WHEN OPERATING CHARACTERISTICS AND DESIGN DETAILS ARE ESTABLISHED.

FOR REFERENCE ONLY, CHECK LATEST REVISION BEFORE USE. PARTS MADE TO THIS PRINT MUST CONFORM TO E9898 REV. E		529 PLEASANT STREET P.O. BOX 2964 ATTLEBORO, MA 02703	
DRAWN C.F. FLEURANT DATE 30-NOV-1995 ENGINEER S.B. MARQUIS DATE 30-NOV-1995 APPROVED	SENSATA TECHNOLOGIES PROPRIETARY AND CONFIDENTIAL. NEITHER THIS PRINT NOR THE INFORMATION CONTAINED HEREON IS TO BE USED AGAINST THE INTERESTS OF SENSATA TECHNOLOGIES OR AGAINST THE INTERESTS OF ANY OF ITS AFFILIATED COMPANIES OR WHOLLY OWNED SUBSIDIARIES. INTERPRET DIMENSIONING AND TOLERANCING PER ASME Y14.5-2009. UNLESS OTHERWISE SPECIFIED DIMENSIONS ARE IN INCHES. TOLERANCES DECIMALS      ANGLES	TITLE 11041-13 THERMOSTAT SPST AUTO.RESET SEALED ENVELOPE DRAWING	
DATE APPROVED	DO NOT SCALE DRAWING	THIRD ANGLE PROJECTION	SIZE DWG NO. REV. B 11041-13 D
DATE	DEVICE:	PROJECT: 256A	SCALE 1:1 AUTOCAD SHEET 1 OF 1