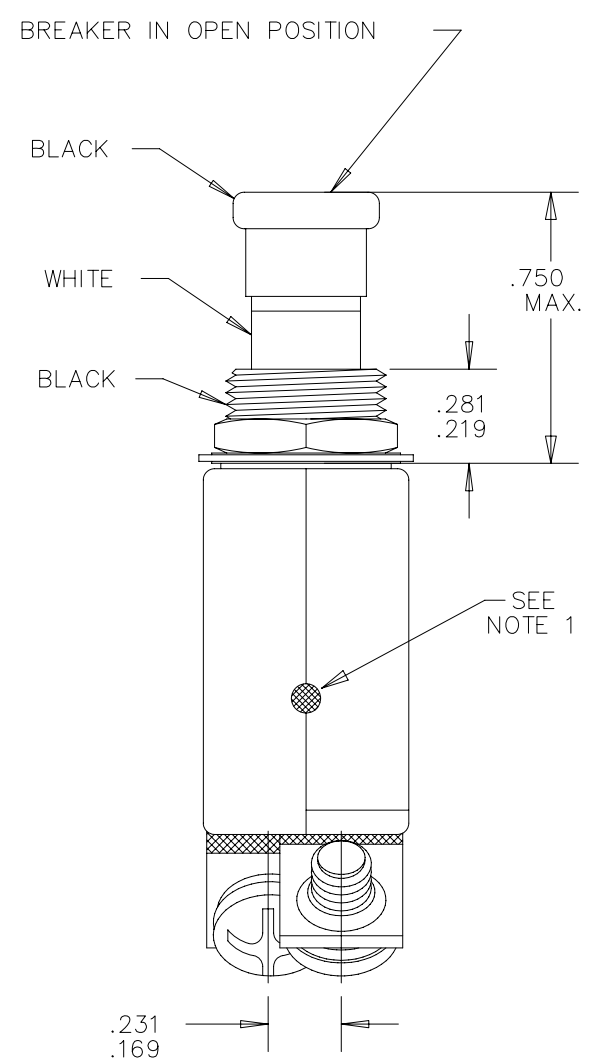
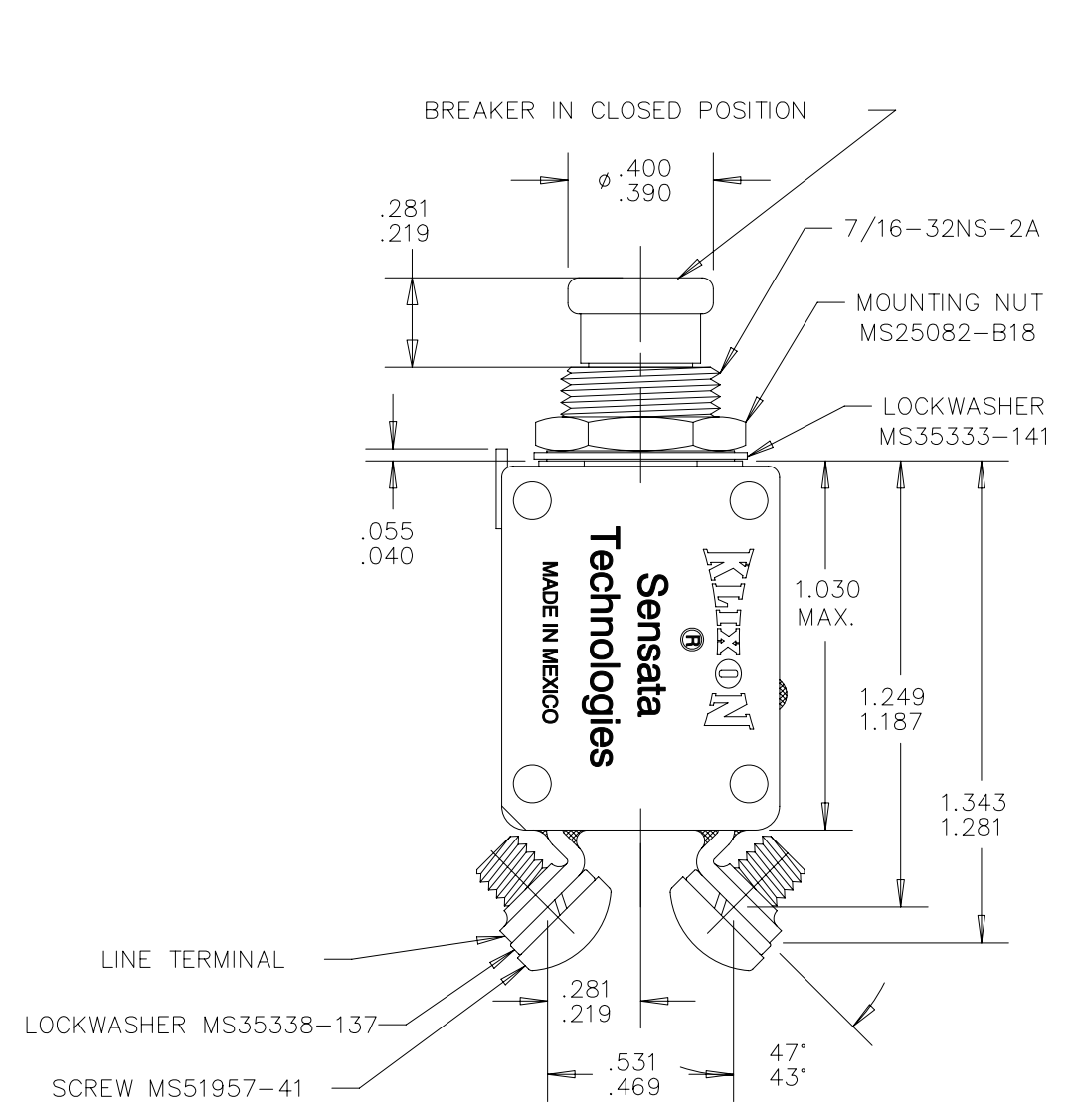
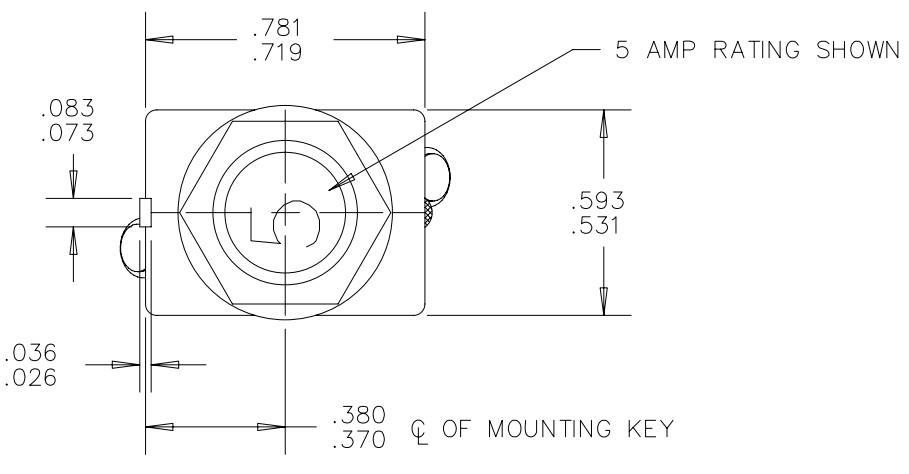


Property of
Sensata Technologies

ZONE	REV.	REVISION DESCRIPTION	ECN NO.	DATE
C1	P	RUPTURE FOR 25 AMP - 28 VDC WAS "1625 AMPS"; FOR 25 AMP - 120 VAC, 400 HZ WAS "1800 AMPS"; GML	ECO-093733	14-NOV-2013



PERFORMANCE CHARACTERISTICS

DETAIL PERFORMANCE PER MIL-C-5809 AND MS3320 "V"

OVERLOAD CYCLING	-----	100 CYCLES AT 200% RATING
VIBRATION	-----	10 G'S CONDITION "C" 55-2000 HZ AND 15 G'S CONDITION "B" 10-2000 HZ
MECHANICAL SHOCK	-----	50 G'S
ACCELERATION	-----	10 G'S
SAND AND DUST	-----	12 HOURS
CORROSION	-----	SALT SPRAY 50 HOURS
HUMIDITY	-----	10 DAYS
EXPLOSION PROOF	-----	WHILE INTERRUPTING RUPTURE CURRENTS

ENDURANCE:	120 VAC	400 HZ INDUCTIVE	2500 CYCLES
		400 HZ RESISTIVE	5000 CYCLES
	30 VDC	INDUCTIVE	2500 CYCLES
		RESISTIVE	5000 CYCLES
		NO LOAD	10000 CYCLES

CALIBRATION:	1 AMP THRU 25 AMP	MIN. ULT. TRIP	MAX. ULT. TRIP	200%	500%	1000%
	+25°C, +77°F	115% RATING	138% RATING	5-20 SEC.	.5-2.0 SEC.	.12-.53 SEC.
	-55°C, -65°F	115% RATING	160% RATING	7-40 SEC.	.6-3.0 SEC.	.16-.8 SEC.
	+121°C, +250°F	100% RATING	138% RATING	3-13 SEC.	.33-1.1 SEC.	.07-.3 SEC.

RUPTURE:	1 AMP	120 VAC, 400 HZ	3500 AMPS
	2 AND 2 1/2 AMP	120 VAC, 400 HZ	2800 AMPS
	3 THRU 15 AMP	120 VAC, 400 HZ	2500 AMPS
	20 AMP	120 VAC, 400 HZ	2000 AMPS
	1 THRU 20 AMP	28 VDC	6000 AMPS
	25 AMP	28 VDC	2000 AMPS
	25 AMP	120 VAC, 400 HZ	2000 AMPS

MAXIMUM OPERATING FORCES	PULL OUT	5 LBS. MAX. (22.2 N)
	RESET	5 LBS. MAX. (22.2 N)

OPERATING ALTITUDE: 70,000 FT. (21,000 M)

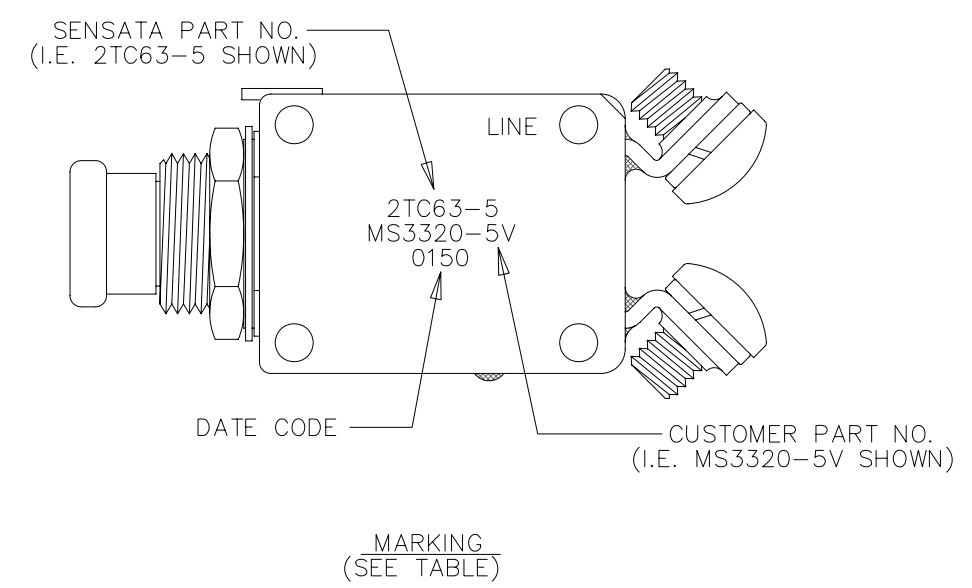
WEIGHT: 25.0 GRAMS MAX.

VOLTAGE DROP:	1 AMP	1.10 VOLTS MAX.
	2 AMP	0.70 VOLTS MAX.
	2 1/2 AMP	0.50 VOLTS MAX.
	3 AMP	0.40 VOLTS MAX.
	4 AMP	0.37 VOLTS MAX.
	5 AMP	0.35 VOLTS MAX.
	7 1/2 AMP	0.30 VOLTS MAX.
	10 AMP	0.28 VOLTS MAX.
	15 AMP	0.25 VOLTS MAX.
	20 AMP	0.25 VOLTS MAX.
	25 AMP	0.20 VOLTS MAX.

- NOTES:
- EPOXY SURFACES ARE NON-DIMENSIONED, ENVELOPE DRAWING DIMENSIONS DO NOT APPLY TO THESE PROJECTED EPOXY SURFACES.
 - TERMINAL AND MOUNTING HARDWARE MAY BE PACKAGED RATHER THAN INSTALLED.
 - COUNTRY OF ORIGIN IS SHOWN FOR ILLUSTRATION PURPOSES ONLY. COUNTRY OF ORIGIN TO BE IDENTIFIED AS REQUIRED.
 - DATE CODE PER 10588-285.
 - MARK IN APPROXIMATE POSITION SHOWN IN BLACK INK PER 12506-70.

SENSATA PART NO.	MS PART NO.
2TC63-25	N/A
2TC63-20	MS3320-20V
2TC63-15	MS3320-15V
2TC63-10	MS3320-10V
2TC63-7 1/2	MS3320-7-1/2V
2TC63-5	MS3320-5V
2TC63-4	MS3320-4V
2TC63-3	MS3320-3V
2TC63-2 1/2	MS3320-2-1/2V
2TC63-2	MS3320-2V
2TC63-1	MS3320-1V

MARKING TABLE



FOR REFERENCE ONLY, CHECK LATEST REVISION BEFORE USE. PARTS MADE TO THIS PRINT MUST CONFORM TO E9898 REV. E		529 PLEASANT STREET P.O. BOX 2964 ATTLEBORO, MA 02703	
DRAWN TOM DAIL DATE 30-OCT-1989 ENGINEER JACQUES CHAMMAS DATE 04-DEC-1989 APPROVED	SENSATA TECHNOLOGIES PROPRIETARY AND CONFIDENTIAL. NEITHER THIS PRINT NOR THE INFORMATION CONTAINED HEREON IS TO BE USED AGAINST THE INTERESTS OF SENSATA TECHNOLOGIES OR AGAINST THE INTERESTS OF ANY OF ITS AFFILIATED COMPANIES OR WHOLLY OWNED SUBSIDIARIES.	TITLE PART NO 2TC63 AMBIENT COMPENSATED, HIGH TEMP. CIRCUIT BREAKER PUSH-PULL, TRIP FREE ENVELOPE DRAWING	SIZE C DWG NO. 2TC63 REV. P
DATE APPROVED	DO NOT SCALE DRAWING	THIRD ANGLE PROJECTION	SCALE 1:1 AUTOCAD SHEET 1 OF 1