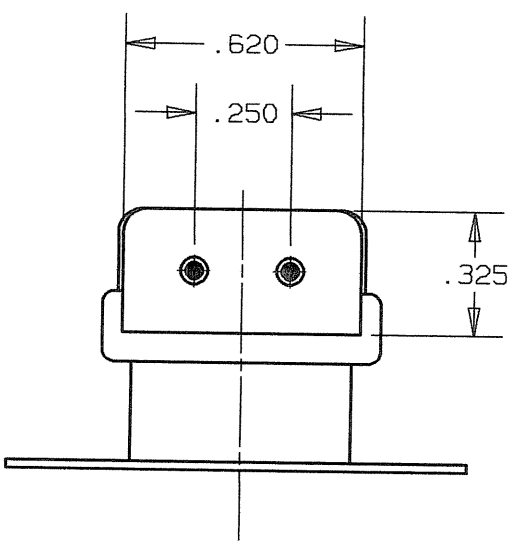
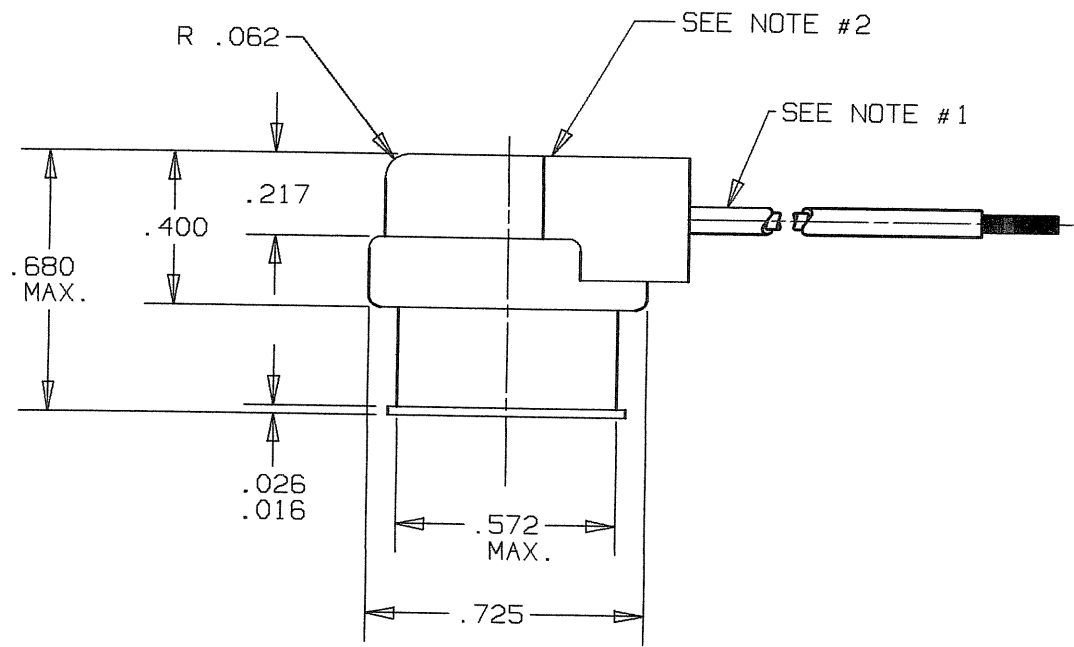
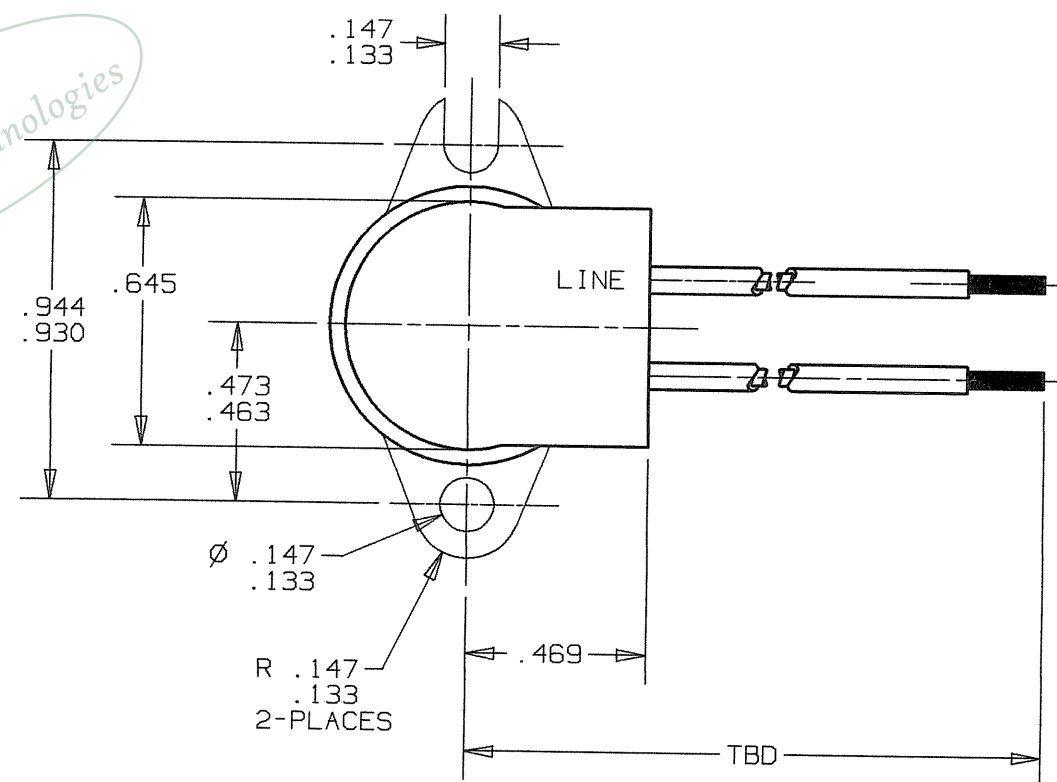


Property of
Sensata Technologies



REVISIONS					
ZONE	LTR	DESCRIPTION	PROJ. # 256A	DATE	APPROVED
	A	1ST ISSUE	CRM42378 J.G.	12/17/98	S.B.M.

PART NO.:.....C4344-176
 FINISH:.....COPPER NICKEL PLATE
 (QQ-N-290, TYPE IV, CLASS 2)
 AMBIENT TEMPERATURE
 EXPOSURE RANGE:.....-65°F TO +450°F
 DIELECTRIC STRENGTH
 (TERMINAL TO CASE):.....1250 VOLTS, RMS, 60 CYCLES FOR 1 MINUTE

- NOTES
 1. AWG 18 SILICONE RUBBER INSULATED WIRE.
 2. DOW CORNING #152 REDDISH BROWN SILASTIC RUBBER OR EQUAL.

THIS IS A CAD DRAWING. THE GEOMETRY IN THE ASSOCIATED CAD COMPUTER FILE IS DIMENSIONALLY ACCURATE. WHEN DRAWING IS BEING REVISED, THE GEOMETRY MUST BE UPDATED IN ALL VIEWS AND ON ALL SHEETS.

UNLESS OTHERWISE SPECIFIED DIMENSIONS ARE IN INCHES	DRAWN JOSE GONZALEZ	DATE 12/17/98	TEXAS INSTRUMENTS ATTLEBORO, MASSACHUSETTS 02703	KLIXON CONTROL PRODUCTS DIVISION
TOLERANCES ON FRACTIONS DECIMALS ANGLES ±.010	ENGINEER S.B.MARQUIS	12/17/98		
MATERIAL	APPROVED M. LILLEY	12/17/98	TITLE 4344-176 THERMOSTAT SPST AUTO. RESET SEALED ENVELOPE DRAWING	
	APPROVED		SIZE B	CODE IDENT NO. 82647
	SIGNATURES ON FILE. REFER TO ELECTRONIC CHANGE NOTICE.		SCALE: 4X	4344-176
				SHEET 1 OF 1