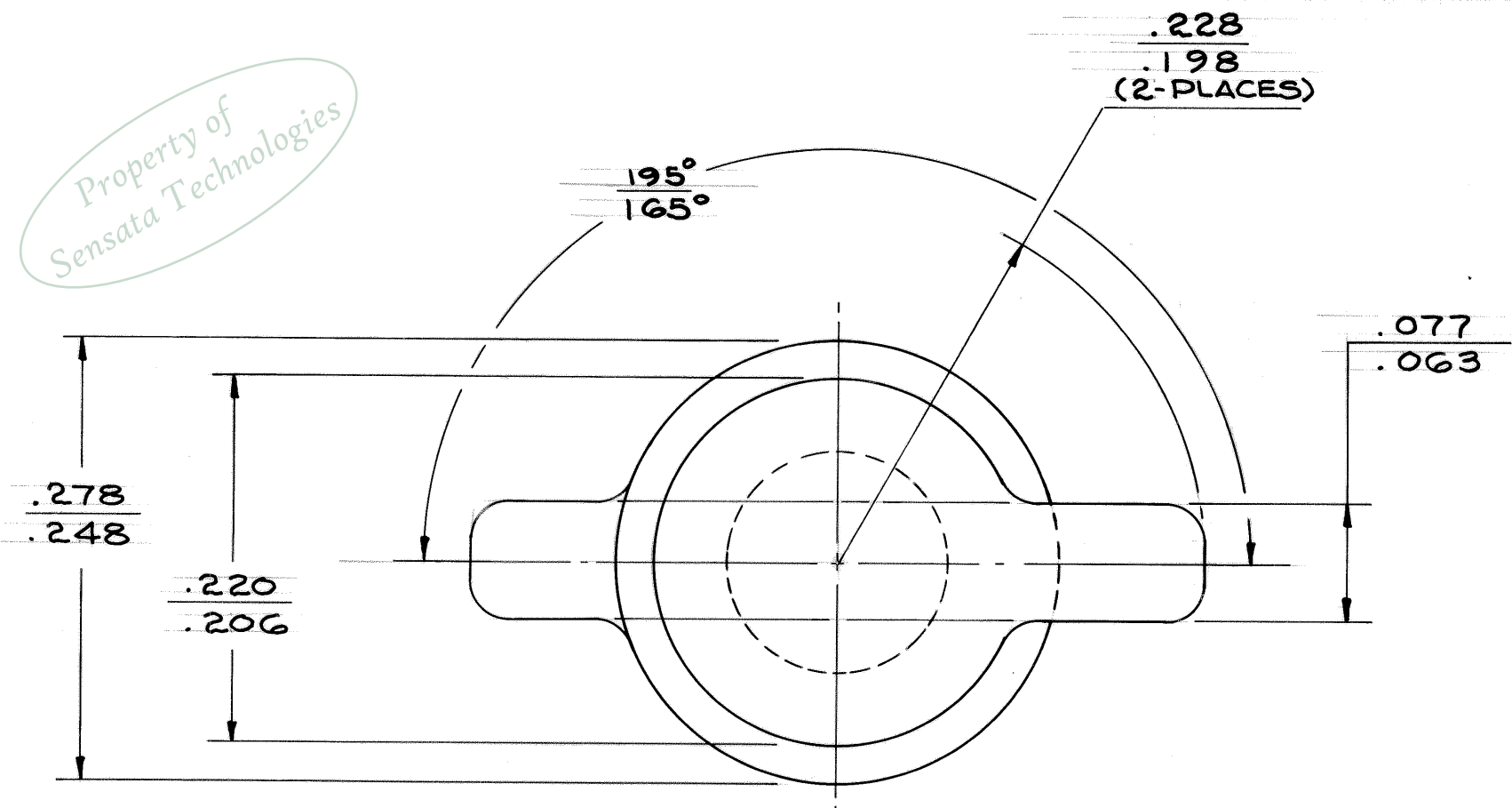


Property of
Sensata Technologies

REVISIONS				
ZONE	LTR	DESCRIPTION	DATE	APPROVED
-	-	1ST ISSUE	C.R.58324 R.J.M.	9-12-75

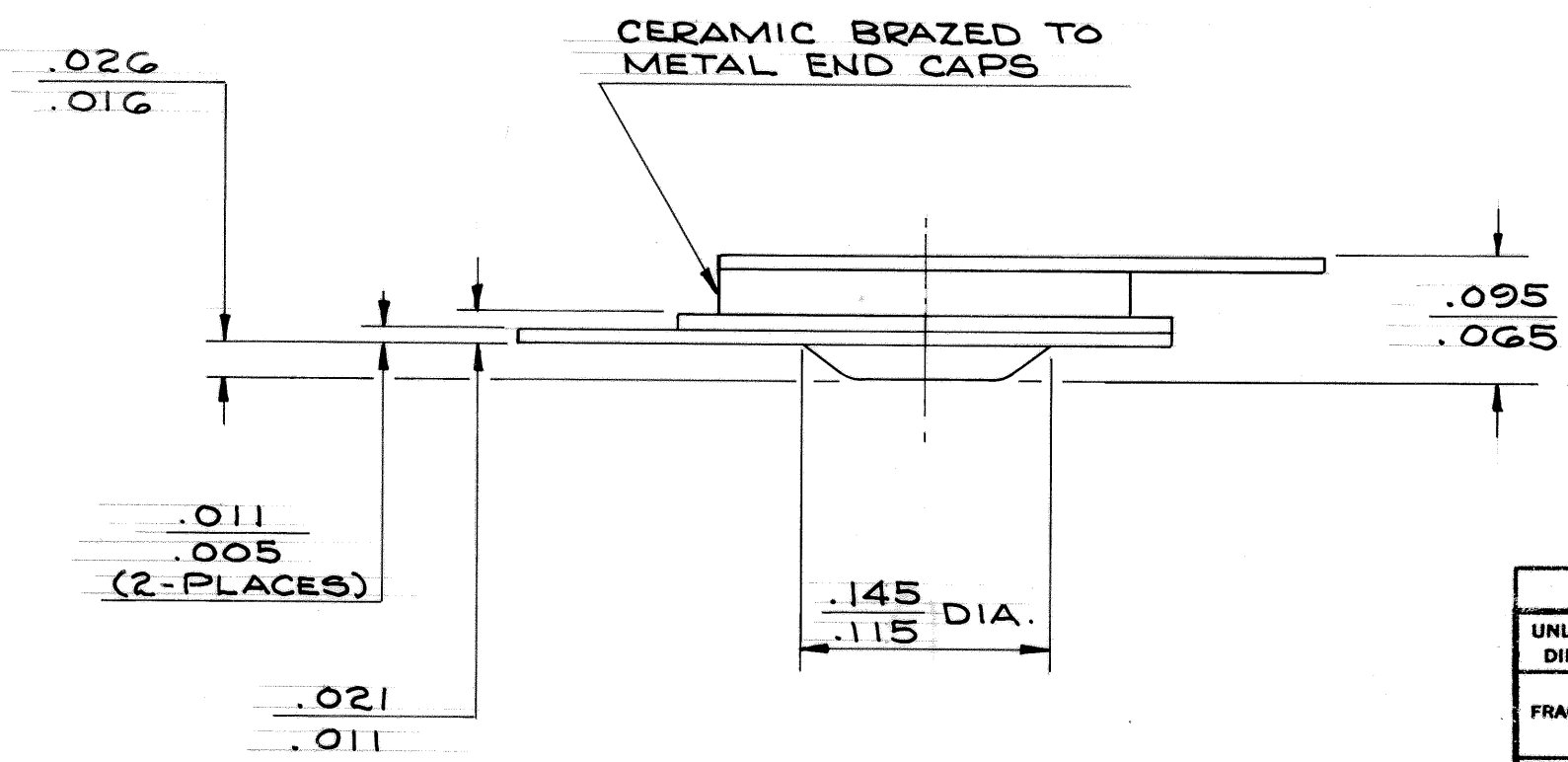


PART NO. 4BTL8-*-*
4BTF8-*-*

"L" DESIGNATES OPEN ON TEMPERATURE RISE.
"F" DESIGNATES CLOSE ON TEMPERATURE RISE.

* WHEN CUSTOMERS TEMPERATURE CHARACTERISTICS ARE ESTABLISHED A DASH NO. WILL BE ASSIGNED, THEREBY COMPLETING THE PART NO.

• IF WIRE LEADS ARE REQUIRED A SECOND DASH NO. WILL BE ASSIGNED TO THE COMPLETED PART NO.



UNLESS OTHERWISE SPECIFIED DIMENSIONS ARE IN INCHES		BY R.J. MULHERN	DATE 9-12-75	Q41 P171 P81 P61 P11
TOLERANCE ON FRACTIONS DECIMALS ANGLES		CH.	ENG.	TEXAS INSTRUMENTS INCORPORATED ATTLEBORO, MASSACHUSETTS, U.S.A.
MATERIAL		Klixon CONTROL PRODUCTS DIVISION		
		TITLE 4BT-8 THERMOSTAT S.P.S.T. AUTO RESET SEALED ENVELOPE DRAWING		
APPROVED <i>Nick Jonne</i>		SIZE B	CODE IDENT NO. 82647	4BT-8
		SCALE	SHEET	