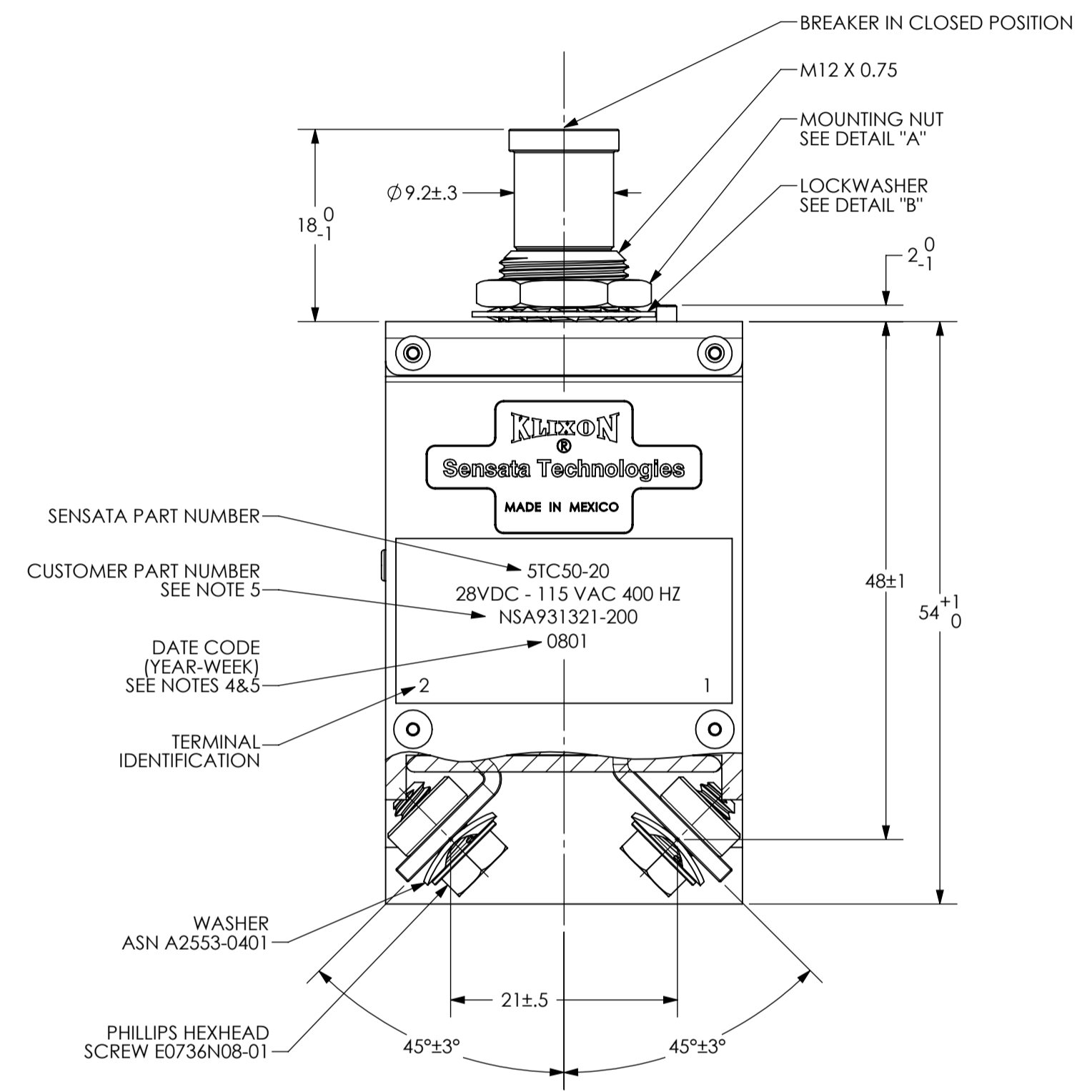
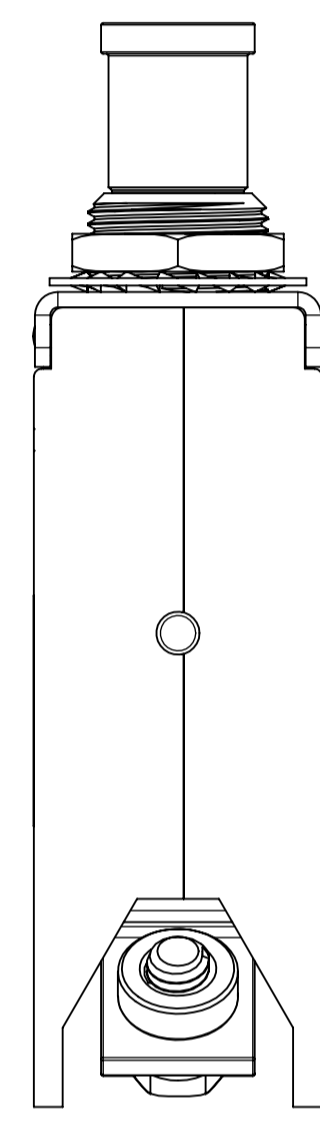
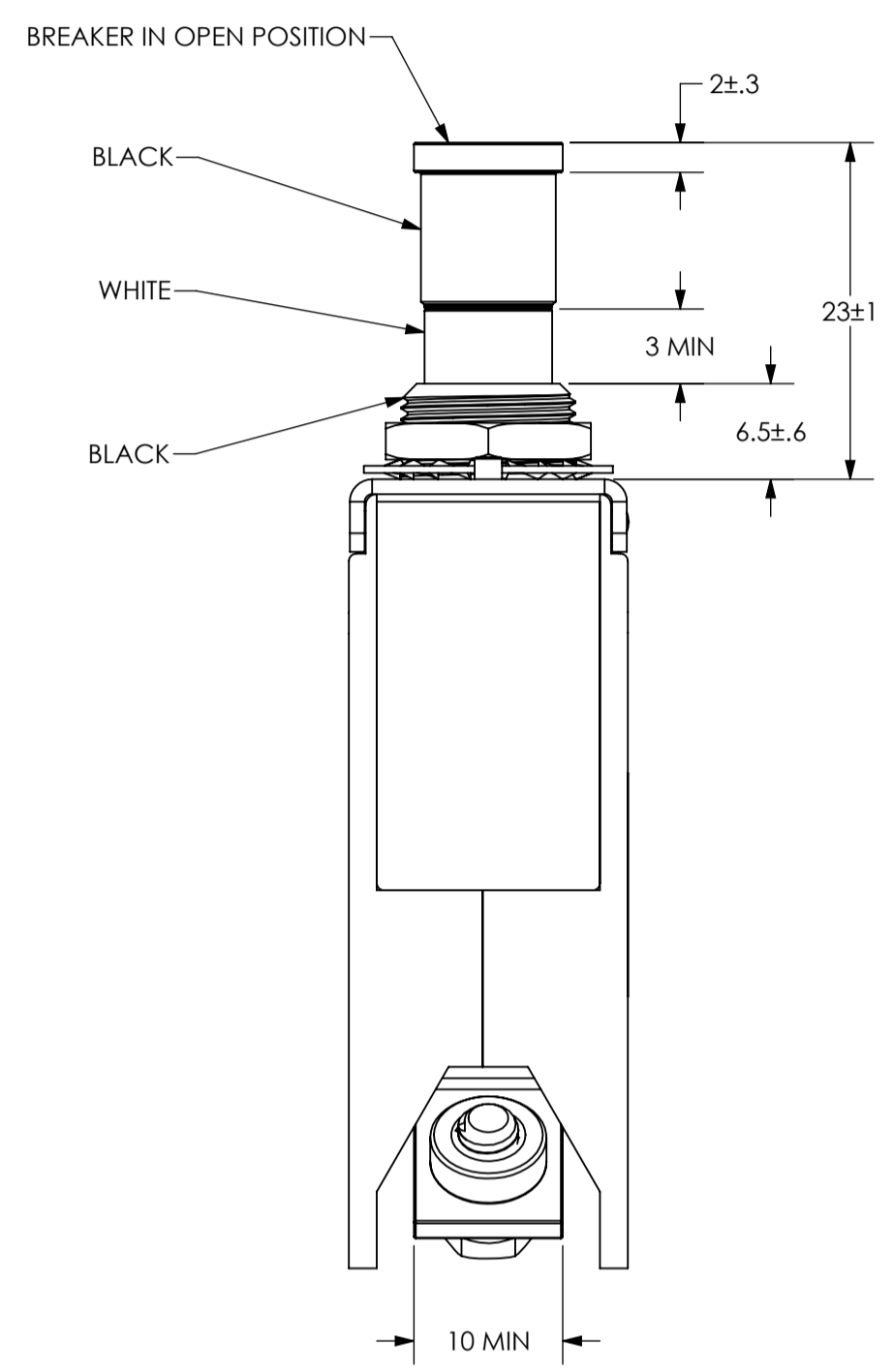
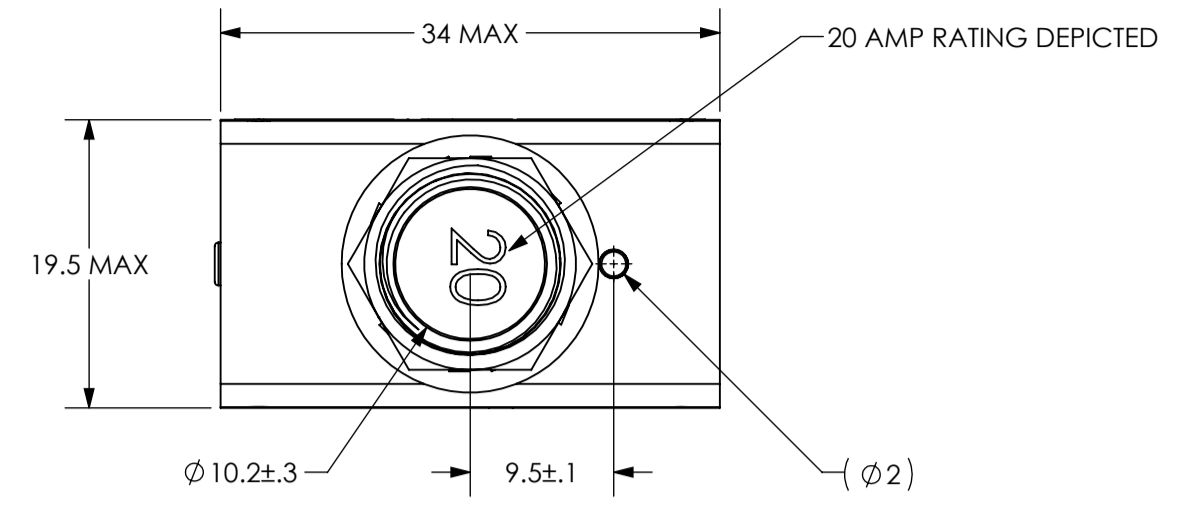


Property of  
Sensata Technologies

ZONE	REV.	REVISION DESCRIPTION	ECN NO.	DATE
B3 A3/C3	L	IN PERFORMANCE CHARACTERISTICS, ADDED VOLTAGE DROP 60 AMP, SENSATA PART NUMBER 5TC50-60 & 60 AMP RUPTURE INFO., GML	ECO-090366	29-JUL-2013



PERFORMANCE CHARACTERISTICS

DETAIL PERFORMANCE PER prEN2794-001 and prEN2794-004  
 VIBRATION ..... CURVE 'J' OF EUROCAE ED-14B, 3 G'S, 2000 HZ  
 MECHANICAL SHOCK ..... 50 G'S  
 CORROSION ..... SALT SPRAY 48 HOURS  
 HUMIDITY ..... 10 DAYS

ENDURANCE:

115 VAC	400 HZ INDUCTIVE	2500 CYCLES
28 VDC	RESISTIVE	2500 CYCLES
	INDUCTIVE	2500 CYCLES
MECHANICAL	NO LOAD	5000 CYCLES

CALIBRATION: 20 AMP THRU 60 AMP

	MIN. ULT. TRIP	MAX. ULT. TRIP	200%	500%	1000%
+23°C (+73°F)	110% RATING	145% RATING	2-18 SEC.	0.15-2.5 SEC.	0.035-0.6 SEC.
-55°C (-67°F)	110% RATING	165% RATING	70 SEC. MAX.	0.15-2.5 SEC.	0.035-0.6 SEC.
+70°C (+158°F)	105% RATING	145% RATING	1.5 SEC. MIN.	0.15-2.5 SEC.	0.035-0.6 SEC.
+125°C (+257°F)	90% RATING	145% RATING	1.5 SEC. MIN.	0.15-2.5 SEC.	0.035-0.6 SEC.

RUPTURE:

20 THRU 50 AMP	115VAC, 380-800 HZ 28 VDC	2000 AMPS RMS 4000 AMPS D.C.
60 AMP	115VAC, 380-800 HZ 28 VDC	2000 AMPS RMS 3000 AMPS D.C.

OPERATIONAL FORCES:  
 PULLOUT ..... 5 - 40 N (1.1 - 9.0 LBS)  
 RESET ..... 3.5 - 55 N (0.8 - 12.4 LBS)

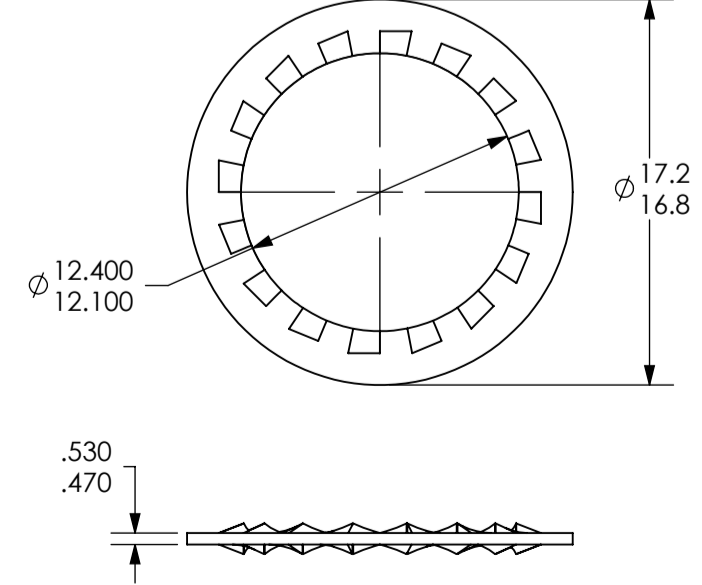
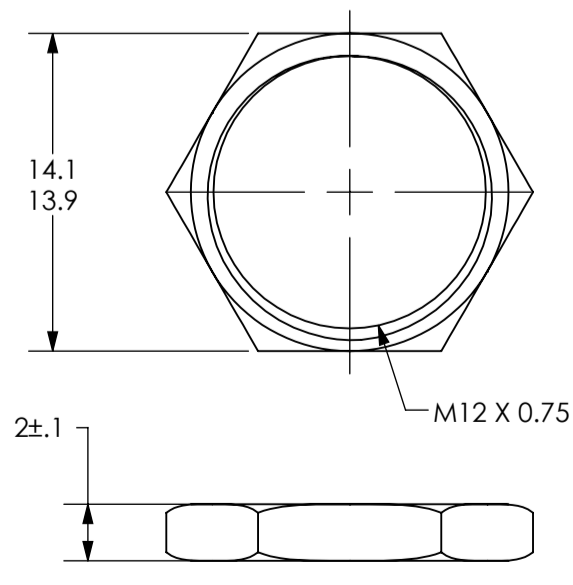
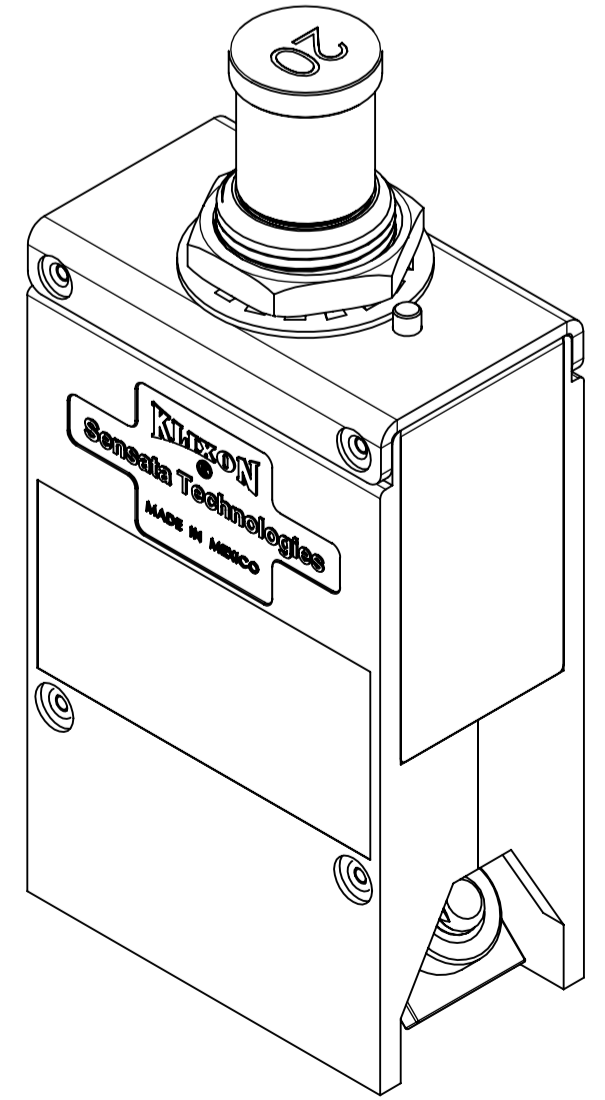
OPERATING ALTITUDE: 15,000 M (49,200 FT)  
 WEIGHT: 70.0 GRAMS MAX. (WITH CONNECTION HARDWARE)

VOLTAGE DROP:

20 AMP	0.150 VOLTS MAX.
25 AMP	0.150 VOLTS MAX.
30 AMP	0.150 VOLTS MAX.
35 AMP	0.150 VOLTS MAX.
40 AMP	0.120 VOLTS MAX.
45 AMP	0.120 VOLTS MAX.
50 AMP	0.120 VOLTS MAX.
60 AMP	0.120 VOLTS MAX.

SENSATA PART NUMBER	CUSTOMER PART NUMBER WITH TERMINAL HARDWARE	CUSTOMER PART NUMBER WITHOUT TERMINAL HARDWARE
5TC50-20	NSA931321-200	NSA931321-200A
5TC50-25	NSA931321-250	NSA931321-250A
5TC50-30	NSA931321-300	NSA931321-300A
5TC50-35	NSA931321-350	NSA931321-350A
5TC50-40	NSA931321-400	NSA931321-400A
5TC50-45	NSA931321-450	NSA931321-450A
5TC50-50	NSA931321-500	NSA931321-500A
5TC50-60		

- NOTES:
- EPOXY SURFACES ARE NON-DIMENSIONED. ENVELOPE DIMENSIONS DO NOT APPLY TO THESE PROJECTED EPOXY SURFACES.
  - TERMINAL AND MOUNTING HARDWARE MAY BE PACKAGED RATHER THAN INSTALLED.
  - COUNTRY OF ORIGIN IS SHOWN FOR ILLUSTRATIONAL PURPOSES ONLY. COUNTRY OF ORIGIN TO BE IDENTIFIED AS REQUIRED.
  - DATE CODE PER 10588-285.
  - MARK IN APPROXIMATE POSITION SHOWN IN BLACK INK PER 12506-70.



DETAIL "A"  
MOUNTING NUT  
BLACK FINISH  
SCALE 3:1

DETAIL "B"  
ROUNDELLE EVENTAIL JZE Ø 12  
N° DERETEREVE 23 12 01 42  
LOCKWASHER - BLACK FINISH  
SCALE 3:1

FOR REFERENCE ONLY. CHECK LATEST REVISION BEFORE USE. PARTS MADE TO THIS PRINT MUST CONFORM TO E9898 REV. E		NEITHER THIS PRINT NOR THE INFORMATION CONTAINED HEREON IS TO BE USED AGAINST THE INTERESTS OF SENSATA TECHNOLOGIES OR AGAINST THE INTERESTS OF ANY OF ITS AFFILIATED COMPANIES OR WHOLLY OWNED SUBSIDIARIES.		 529 PLEASANT STREET P.O. BOX 2964 ATLEBORO, MA 02703	
DRAWN JOSE GONZALEZ DATE 29-SEP-1996	ENGINEER NATHAN WICKS DATE 29-SEP-1996	APPROVED KEN MORSE DATE 29-SEP-1996	APPROVED PETE BERG DATE 29-SEP-1996	TITLE <b>5TC50 CIRCUIT BREAKER          PUSH PULL, TRIP FREE          ENVELOPE DRAWING</b>	
DWG. NO. <b>5TC50</b> REV. <b>L</b>				SCALE 2:1   SOLIDWORKS   SHEET 1 OF 1	