

5

4

3

2

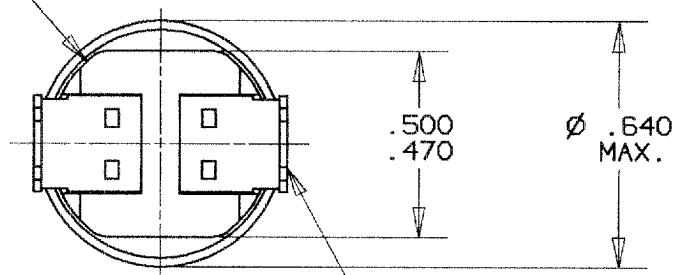
1

REVISIONS

ZONE	LTR	DEV. #	DESCRIPTION	PROJ. #	DATE	APPROVED
		7BT		3190		
	C		CHG TO MATCH 7BT2 SEQUENCE ECN#M45030 MF		03/26/99	S.B.M.

Property of  
Sensata Technologies

Ø .579 MAX.

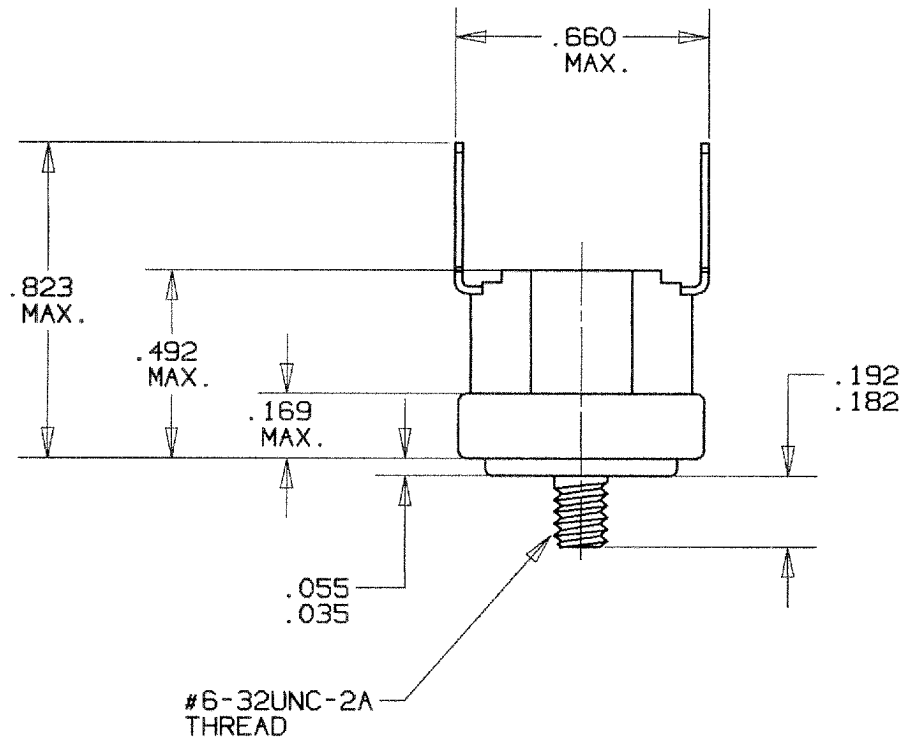


2X 90° .187 Q.C. REF. TERMINAL  
.020 REF. THICK

PART NO.: 7BT2L6B-\*  
7BT2F6B-\*

"L" DESIGNATES OPEN ON TEMPERATURE RISE.  
"F" DESIGNATES CLOSE ON TEMPERATURE RISE.

\*WHEN CUSTOMERS TEMPERATURE CHARACTERISTICS ARE ESTABLISHED A DASH NO. WILL BE ASSIGNED, THEREBY COMPLETING THE PART NO.



THIS DRAWING SUPERSEDES 7BT2-6B REV. B DATED 11/13/98.

										Q4		P17	
UNLESS OTHERWISE SPECIFIED DIMENSIONS ARE IN INCHES				DRAWN MARK FONTES		DATE 11/13/98		TEXAS INSTRUMENTS ATTLEBORO, MASSACHUSETTS 02703				KLIXON CONTROL PRODUCTS DIVISION	
TOLERANCES ON FRACTIONS DECIMALS ANGLES				ENGINEER S.B. MARQUIS		DATE 11/13/98		TITLE FIXED TEMPERATURE THERMOSTAT ENVELOPE DRAWING					
MATERIAL				APPROVED D.R. PETRIE		DATE 11/13/98		SIZE B		CODE IDENT NO. 82647		7BT2-6B	
				APPROVED G. FIELD		DATE 11/13/98		SIGNATURES ON FILE. REFER TO ELECTRONIC CHANGE NOTICE.					