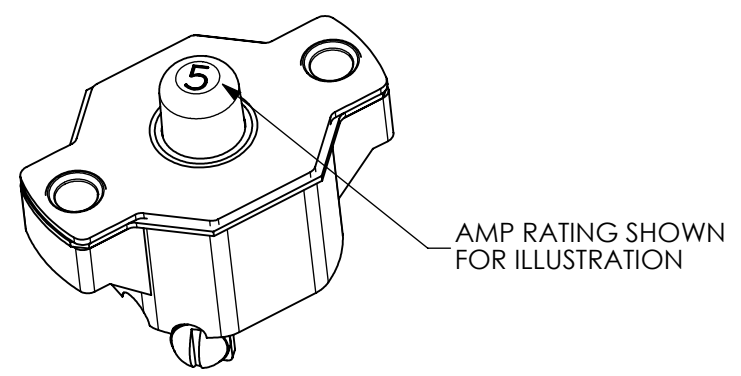
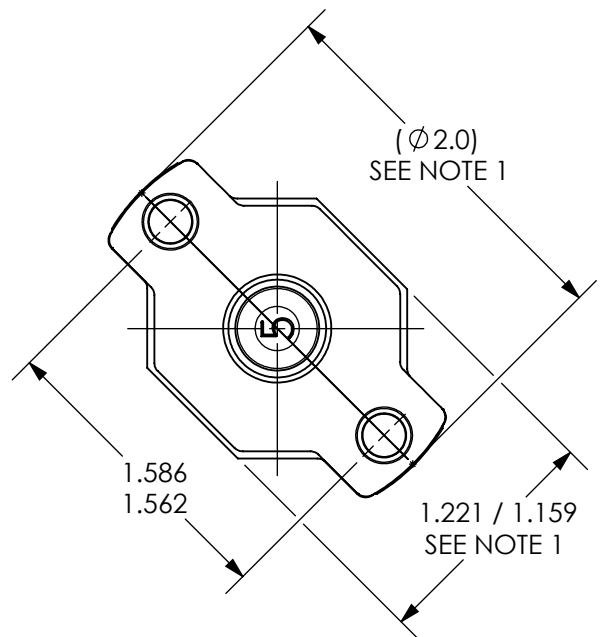


ZONE	REV.	REVISION DESCRIPTION	ECN NO.	DATE
A1	R	DRAWING TITLE WAS "PDM CIRCUIT BREAKER PRECISION, WEATHERPROOF MANUAL RESET TYPE ENVELOPE DRAWING";	ECN0047126	23-JAN-2009
C1		ENDURANCE WAS "COMPLIES WITH SAE J553". DELETED "VOLTAGE DROP: 12.5-40 AMP SAE J553". DIELECTRIC STRENGTH WAS "1500 VAC MINIMUM". INSULATION RESISTANCE WAS "100 MOHMS MINIMUM". DELETED "MECHANICAL SHOCK RESISTANCE: 100G". SALT SPRAY WAS "MIL-STD-202 METHOD 101D". "WEIGHT: 48 GRAMS MAX." WAS "WEIGHT: WITH INSERTS: 48 GRAMS MAX."; PAF		



PERFORMANCE CHARACTERISTICS

VOLTAGE RATING	30 VDC/120 VAC
200% OVERLOAD	
2-10 AMPS	20-150 SECONDS
12.5-40 AMPS	8-50 SECONDS
ULTIMATE TRIP % AT 77° F RATED CURRENT	
MINIMUM	110%
MAXIMUM	138%
INTERRUPT CAPACITY	SAE J553 AND ABYC-E11
ENDURANCE	100 CYCLES AT 400% RATED CURRENT
DIELECTRIC STRENGTH	1500 VAC MINIMUM MIL-STD-202 METHOD 301
INSULATION RESISTANCE	100 MΩ MINIMUM MIL-STD-202 METHOD 302 CONDITION B
VIBRATION RESISTANCE	10G MIL-STD-202 METHOD 204 CONDITION A
SALT SPRAY	96 HOURS PER SAE J1455
IGNITION PROTECTED	SAE J1171
WEATHERPROOF	SAE J553
WEIGHT	48 GRAMS MAX.
UL LISTED	E 36869

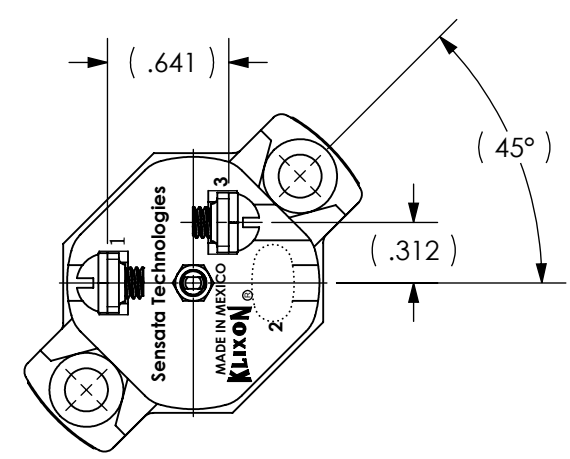
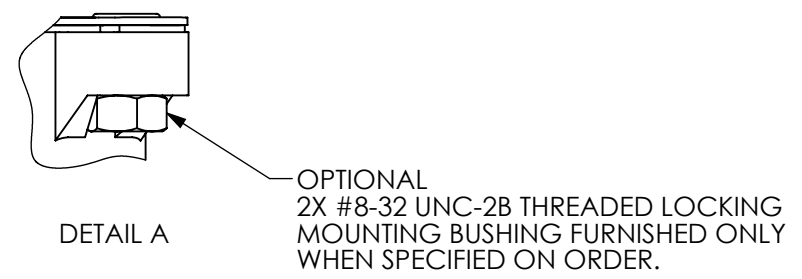
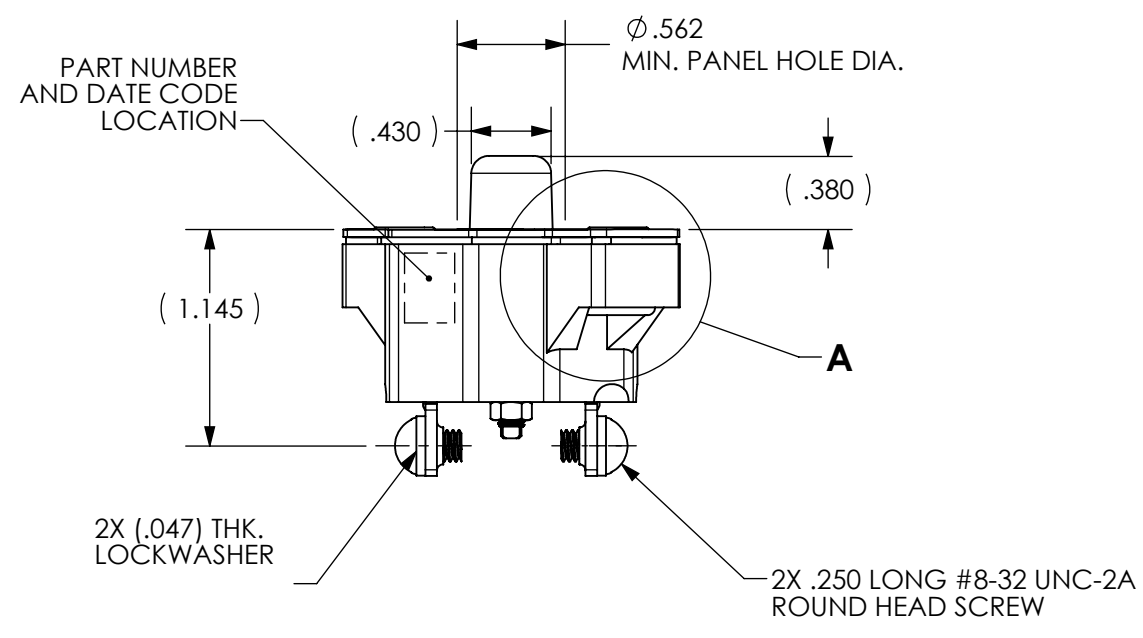


FIG. #1
BOTTOM VIEW FOR 2 AMP THRU 10 AMP

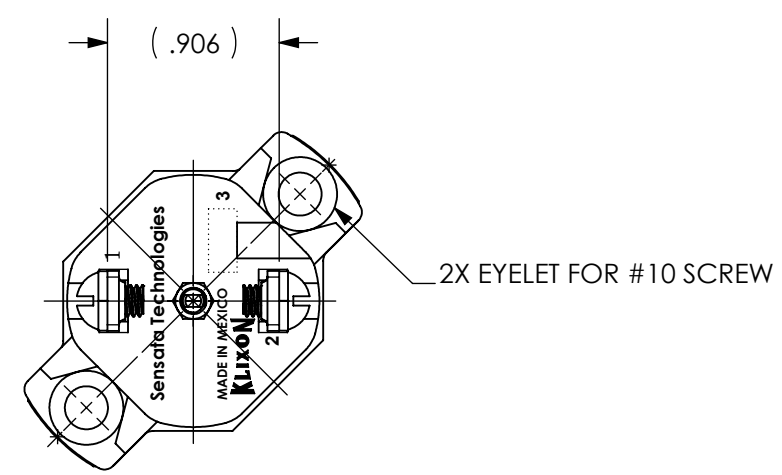


FIG. #2
BOTTOM VIEW FOR 12½ AMP THRU 40 AMP

NOTES:

1. DIMENSION DOES NOT INCLUDE SEALING GASKET.

PDM-40	40	2	PDM-40-I
PDM-35	35	2	PDM-35-I
PDM-30	30	2	PDM-30-I
PDM-25	25	2	PDM-25-I
PDM-20	20	2	PDM-20-I
PDM-17½	17½	2	PDM-17½-I
PDM-15	15	2	PDM-15-I
PDM-12½	12½	2	PDM-12½-I
PDM-10	10	1	PDM-10-I
PDM-8	8	1	PDM-8-I
PDM-6	6	1	PDM-6-I
PDM-5	5	1	PDM-5-I
PDM-4	4	1	PDM-4-I
PDM-3	3	1	PDM-3-I
PDM-2	2	1	PDM-2-I
PART NO.	AMP RATING	FIGURE NO.	PART NO. WITH THREADED INSERTS

FOR REFERENCE ONLY, CHECK LATEST REVISION BEFORE USE. PARTS MADE TO THIS PRINT MUST CONFORM TO E9898 REV. E.

DRAWN C.RODZEN DATE 27-JUN-2007	SENSATA TECHNOLOGIES PROPRIETARY AND CONFIDENTIAL. NEITHER THIS PRINT NOR THE INFORMATION CONTAINED HEREON IS TO BE USED AGAINST THE INTERESTS OF SENSATA TECHNOLOGIES OR AGAINST THE INTERESTS OF ANY OF ITS AFFILIATED COMPANIES OR WHOLLY OWNED SUBSIDIARIES.
ENGINEER R.GENEREUX DATE 27-JUN-2007	UNLESS OTHERWISE SPECIFIED DIMENSIONS ARE IN INCHES TOLERANCES DECIMALS ANGLES X.XXX ±0.031 X° ±5°
APPROVED P.BERG DATE 27-JUN-2007	
APPROVED V.RAMIREZ DATE 27-JUN-2007	DO NOT SCALE DRAWING

Sensata Technologies
529 PLEASANT STREET
P.O. BOX 2964
ATTLEBORO, MA 02703

TITLE
MANUAL RESET CIRCUIT BREAKER

SIZE C	DWG NO. PDM	REV. R
SCALE 1:1	SOLIDWORKS	SHEET 1 OF 1

DEVICE: PDM

PROJECT: 1